

FERENCE & ASSOCIATES LLC
Stanley D. Ference III (SF1086)
409 Broad Street
Pittsburgh, Pennsylvania 15143
Telephone: (412) 741-8400
Facsimile: (412) 741-9292

JUDGE WOODS

Attorneys for Plaintiff

UNITED STATES DISTRICT COURT
SOUTHERN DISTRICT OF NEW YORK

-----X
AIRIGAN SOLUTIONS, LLC,

Plaintiff,

v.

YIWU LANHOME JEWELRY CO., LTD.,
NINGBO GLORY IMP & EXP CO., LIMITED,
NINGBO JIANGBEI JIAMIN COMMODITY
CO., LTD., JIANGSHAN TOPME IMPORT &
EXPORT CO., LTD., NINGHAI HONGHAO
PLASTIC CO., LTD., NINGBO ONTIME
IMP. & EXP. CO., LTD., NINGBO HAISHU
GREENWELL COMMODITY INDUSTRIAL
CO., LTD., HEFEI FENGZHISHENG TRADE
CO., LTD., and THE INDIVIDUALS,
PARTNERSHIPS AND UNINCORPORATED
ASSOCIATIONS IDENTIFIED ON
SCHEDULE "A",

Defendants.
-----X

Civil Action No.

18 CV 6T32

Jury Trial Requested

FILED UNDER SEAL

COMPLAINT FOR DAMAGES AND INJUNCTIVE RELIEF

Plaintiff, Airigan Solutions, LLC, hereby sue Defendants, the Individuals, Partnerships and Unincorporated Associations identified in the caption, which are set forth on Schedule "A" hereto (collectively "Defendants"). Defendants are (i) promoting, selling, offering for sale and distributing goods bearing and/or using counterfeits and confusingly similar imitations of

Plaintiff's registered trademark and its trade dress and (ii) promoting, selling, offering for sale and distributing goods infringing Plaintiff's patent within this district through various fully interactive commercial Internet websites and Internet based e-commerce stores using the seller identities and store URLs set forth on **Schedule "A"** hereto (collectively, the "Seller IDs"). In support of its claims, Plaintiff alleges as follows:

JURISDICTION AND VENUE

1. This is an action for federal trademark counterfeiting and infringement; false designation of origin, passing off, and unfair competition; common law unfair competition; and common law trademark infringement pursuant to 15 U.S.C. §§ 1114, 1116, 1125(a), and 1125(d), and patent infringement pursuant to 35 U.S.C. § 271 and The All Writs Act, 28 U.S.C. § 1651(a). Accordingly, this Court has subject matter jurisdiction over this action pursuant to 15 U.S.C. § 1121 and 28 U.S.C. §§ 1331 and 1338. This Court has supplemental jurisdiction pursuant to 28 U.S.C. § 1367 over Plaintiff's state law claims because those claims are so related to the federal claims that they form part of the same case or controversy.

2. Personal jurisdiction exists over Defendants in this judicial district pursuant to N.Y.C.P.L.R. § 302(a)(1) and N.Y.C.P.L.R. § 302(a)(3), or in the alternative, Federal Rule of Civil Procedure 4(k), because, upon information and belief, Defendants regularly conduct, transact and/or solicit business in New York and in this judicial district, and/or derive substantial revenue from their business transactions in New York and in this judicial district and/or otherwise avail themselves of the privileges and protections of the laws of the State of New York such that this Court's assertion of jurisdiction over Defendants does not offend traditional notions of fair play and due process, and/or Defendants' illegal counterfeiting and infringing actions caused injury to Plaintiff in New York and in this judicial district such that Defendants should

reasonably expect such actions to have consequences in New York and in this judicial district, for example:

a. Upon information and belief, Defendants were and/or are systematically directing and/or targeting their business activities at consumers in the U.S., including New York, through accounts with online marketplace platforms such as Alibaba.com, AliExpress.com Amazon.com, Bonanza.com, dhgate.com, eBay.com, Walmart.com, and Wish.com, as well as any and all as yet undiscovered accounts with additional online marketplace platforms held by or associated with Defendants, their respective officers, employees, agents, servants and all persons in active concert or participation with any of them (“User Accounts”), through which consumers in the U.S., including New York, can view the one or more of Defendants’ merchant storefronts that each Defendant operates, uses to communicate with Defendants regarding their listings for Counterfeit Products and to place orders for, receive invoices for and purchase Counterfeit Products for delivery in the U.S., including New York, as a means for establishing regular business with the U.S., including New York.

b. Upon information and belief, certain Defendants are sophisticated sellers, each operating one or more commercial businesses using their respective User Accounts through which Defendants, their respective officers, employees, agents, servants and all persons in active concert of participation with any of them, operate storefronts to manufacture, import, export, advertise, market, promote, distribute, offer for sale and/or otherwise deal in products, including the Counterfeit Products, which are held by or associated with Defendants, their respective officers, employees, agents, servants and all persons in active concert or participation with any of them (“Merchant Storefront(s)”) in wholesale quantities

at significantly below-market prices to consumers worldwide, including to those in the U.S., and specifically New York.

c. Upon information and belief, a majority of Defendants' Merchant Storefronts reflect multiple sales to consumers all over the world, including repeat sales to consumers in the U.S.

d. Upon information and belief, all Defendants accept payment in U.S. Dollars and offer shipping to the U.S., including to New York and specifically to the New York Address (as defined *infra*).

e. Upon information and belief, Defendants have transacted business with consumers located in the U.S., including New York, for the sale and shipment of Counterfeit Products.

f. Upon information and belief, Defendants are aware of Plaintiff, its NEGG product, and are aware that their illegal counterfeiting and infringing actions alleged herein are likely to cause injury to Plaintiff in the U.S., in New York and in this judicial district specifically, as Plaintiff conducts substantial business in New York.

3. Venue is proper, *inter alia*, pursuant to 28 U.S.C. § 1391 and 28 U.S.C. § 1400(b) because, for example:

a. Upon information and belief, Defendants conduct, transact, and/or solicit business in this judicial district.

b. Upon information and belief, Defendants or their agent(s) may be found in this district because personal jurisdiction is proper in this district.

c. Upon information and belief, this is a judicial district in which a substantial part of the events or omissions giving rise to the infringement claims occurred, or a substantial part of the property that is the subject of the action is situated.

d. Defendants not resident in the United States may be sued in this judicial district because personal jurisdiction is proper in this district.

THE PARTIES

4. Plaintiff, Airigan Solutions, LLC (“Airigan Solutions”) is a limited liability company organized and existing under the laws of the State of Connecticut, having its principal place of business at 107 John Street, Suite 1-C, Southport, Connecticut 06890.

5. Upon information and belief, Defendant Yiwu Lanhome Jewelry Co., Ltd. is a merchant on Alibaba.com, at <https://lanhome.en.alibaba.com/>, where it offers for sale and/or sells Counterfeit Products and with a principal place of business at 4th Floor, Unit 1, Building 101, Siji 6th Zone, Beiyuan Street, Jinhua, Zhejiang, China (Mainland).

6. Upon information and belief, Defendant Ningbo Glory Imp & Exp Co., Limited is a merchant on Alibaba.com, at <https://firstglory.en.alibaba.com/>, where it offers for sale and/or sells Counterfeit Products and with a principal place of business at Rm. 706, No. 74, Bldg. 37, Yangguang Liyuan, Shiqi Street, Yinzhou Dist., Ningbo, Zhejiang, China (Mainland).

7. Upon information and belief, Defendant Ningbo Jiangbei Jiamin Commodity Co., Ltd. is a merchant on Alibaba.com, at <https://jiamin.en.alibaba.com/>, where it offers for sale and/or sells Counterfeit Products and with a principal place of business at Hengshan Village, Hongtang Street, Jiangbei District, Ningbo, Zhejiang, China (Mainland).

8. Upon information and belief, Defendant Ningbo Mateyness Household Co., Ltd. is a merchant on Alibaba.com, at <https://mateyness.en.alibaba.com>, where it offers for sale and/or sells Counterfeit Products and with a principal place of business at 23 Lianzhong Road, Gaoqiao Town, Ningbo, Zhejiang, China (Mainland).

9. Upon information and belief, Defendant Jiangshan Topme Import & Export Co., Ltd. is a merchant on Alibaba.com, at <https://jstuojin.en.alibaba.com/>, where it offers for sale and/or sells Counterfeit Products and with a principal place of business at 21 Changtangding, Shehou Village, Shuangta Street, Jiangshan, Zhejiang, China (Mainland).

10. Upon information and belief, Defendant Yiwu Joyful Commodity Factory is a merchant on Alibaba.com, at <https://ywjoyful.en.alibaba.com/>, where it offers for sale and/or sells Counterfeit Products and with a principal place of business at Floor 1, Unit 3, Bldg. 39, Yi'an Zone 2, Yiwu, Jinhua, Zhejiang, China (Mainland).

11. Upon information and belief, Defendant Ninghai Honghao Plastic Co., Ltd. is a merchant on Alibaba.com, at <http://nhhonghao.en.alibaba.com>, where it offers for sale and/or sells Counterfeit Products and with a principal place of business at 9-11, 11th floor, No. 396, Shidai East Road, Ninghai, Ningbo, Zhejiang, China (Mainland).

12. Upon information and belief, Defendant Huizhou Kangning Industrial Co., Ltd. is a merchant on Alibaba.com, at <https://kangningltd.en.alibaba.com/>, where it offers for sale and/or sells Counterfeit Products and with a principal place of business at Room 3, Floor 14, Block A, Huiyang World Trade Plaza, Intersection of Baiyun Road and Donghua Avenue, Huiyang District, Huizhou City, Guangdong Province, China (Mainland).

13. Upon information and belief, Defendant Ningbo Ontime Imp. & Exp. Co., Ltd. is a merchant on Alibaba.com, at <https://nbontime.en.alibaba.com/>, where it offers for sale and/or sells Counterfeit Products and with a principal place of business at No.1498,Jiangnan Road, Ningbo, Zhejiang, China (Mainland).

14. Upon information and belief, Defendant Ningbo Haishu Greenwell Commodity Industrial Co., Ltd. is a merchant on Alibaba.com, at <https://nbgreenwell.en.alibaba.com/>, where it offers for sale and/or sells Counterfeit Products and with a principal place of business at 911, No. 16, Nanzhan East Road, Haishu Dist., Ningbo, Zhejiang, China (Mainland).

15. Upon information and belief, Defendant Hefei Fengzhisheng Trade Co., Ltd. is a merchant on Alibaba.com, at <https://hffzs.en.alibaba.com/>, where it offers for sale and/or sells Counterfeit Products and with a principal place of business at Room1806, A# ,Lvdilanhai building, Qianshan Road, Hefei, Anhus, China (Mainland).

16. Upon information and belief, each of the above-identified Defendants target their business activities toward consumers throughout the United States, including within this district, and conduct pervasive business through the operation of, at least, the fully interactive commercial Internet websites and Internet based marketplace website Alibaba.com, via the identified e-commerce stores.

17. Upon information and belief, the Seller ID Defendants on Schedule “A” are individuals and/or business entities of unknown makeup, each of whom, upon information and belief, either reside or operate in foreign jurisdictions, or redistribute products from the same or similar sources in those locations. Defendants have the capacity to be sued pursuant to Federal Rule of Civil Procedure 17(b). Defendants target their business activities toward consumers throughout the United States, including within this district, and conduct pervasive business

through the operation of, at least, the fully interactive commercial Internet websites and Internet based marketplace websites, AliExpress.com, Amazon.com, Bonanza.com, dhgate.com, eBay.com, Walmart.com, and Wish.com, via the e-commerce stores existing under the Seller IDs.

18. Upon information and belief, the Seller ID Defendants use aliases in conjunction with the operation of their businesses as set forth in Schedule "A" hereto.

19. Upon information and belief, Defendants are the past and present controlling forces behind the sale of products bearing and/or using counterfeits and infringements of Plaintiff's trademark, trade dress, and patent as described herein using at least the Seller IDs.

20. Upon information and belief, Defendants directly engage in unfair competition with Plaintiff by advertising, offering for sale and selling goods bearing and/or using counterfeits and infringements of Plaintiff's trademark, trade dress, and patent to consumers within the United States and this district through several fully interactive, commercial Internet websites and Internet based e-commerce stores operating under, at least, the Alibaba.com storefronts, the Seller IDs, and any additional domain names, websites and corresponding website URLs or seller identifications and store URL aliases not yet known to Plaintiff. Defendants have purposefully directed some portion of their illegal activities towards consumers in the State of New York through the advertisement, offer to sell, sale, and/or shipment of counterfeit and infringing goods into the State.

21. Defendants have registered, established or purchased, and maintained the Alibaba.com storefronts, Seller IDs, and the websites and e-commerce stores operating thereunder. Upon information and belief, Defendants have engaged in fraudulent conduct with respect to the registration of the Seller IDs by providing false and/or misleading information to

their various registrars and/or to the Internet based e-commerce platforms where they offer for sale and/or sell, during the registration or maintenance process related to their respective Seller ID. Upon information and belief, Defendants have anonymously registered and maintained some of the Seller IDs for the sole purpose of engaging in illegal counterfeiting activities.

22. Upon information and belief, Defendants will continue to register or acquire new seller identification aliases, and consequently new URL addresses in connection therewith, for the purpose of selling and offering for sale goods bearing and/or using counterfeit and confusingly similar imitations of Plaintiff's trademark and trade dress and infringing Plaintiff's patent unless preliminarily and permanently enjoined.

23. Defendants' Internet-based businesses infringe the intellectual property rights of Plaintiff.

24. Defendants' business names, i.e., the Seller IDs, associated payment accounts, and any other alias domain names and seller identification names or store URLs used in connection with the sale of counterfeit and infringing goods bearing and/or using Plaintiffs' respective trademarks, trade dress, and patent are essential components of Defendants' online activities and are the means by which Defendants further their counterfeiting and infringing scheme and cause harm to Plaintiffs. Moreover, Defendants are using Plaintiff's trademark to drive Internet consumer traffic to their websites and e-commerce stores operating under the Seller IDs, thereby creating and increasing the value of the Seller IDs and decreasing the size and value of Plaintiff's legitimate consumer marketplace at Plaintiffs' expense.

COMMON FACTUAL ALLEGATIONS

Plaintiff's Business, Trademark, Trade Dress, and Patent Rights

25. Plaintiff sells a unique and revolutionary patented product under the federally registered trademark NEGG[®] that quickly and easily peels hard boiled eggs.

26. Plaintiff has spent substantial time, money and effort in building up and developing consumer recognition, awareness and goodwill in its NEGG[®] mark and NEGG[®] product.

27. The success of the NEGG[®] product is due in part to Plaintiff's marketing and promotional efforts. These efforts include advertising and promotion through television, retailer websites and other internet-based advertising, print, participation in trade shows, among other efforts, including New York.

28. Plaintiff's NEGG[®] product has been featured on television (the Today show, Home Shopping Network), newspapers (New York Times, USA Today) and numerous videos on YouTube, Facebook and other social media sites. Numerous videos featuring Plaintiff's NEGG[®] product have been collectively viewed hundreds of thousands of times, if not millions of times.

29. Plaintiff's NEGG[®] product is proudly manufactured in the United States using the highest quality materials and processes.

30. Plaintiff owns trademark rights, trade dress, and patent rights regarding its NEGG[®] product.

a. Plaintiff is the owner of source identifying trademarks, including NEGG[®] (Reg. No. 5,142,630 attached as **Exhibit 1**) and trade dress shown in **Exhibit 2** that Plaintiff uses to distinguish its unique product. Plaintiff owns the overall combination and arrangement of all non-functional design elements of Plaintiff's product and

packaging, including its product insert, which are inherently distinctive and/or have acquired secondary meaning in the mind of the purchasing public.

b. Plaintiff owns a United States patent for its unique NEGG[®] product, including U.S. Patent No. 9,968,211 for PERSONAL EGG PEELER (attached as **Exhibit 3**).

c. Plaintiff also owns copyrights for its packaging, including its product insert.

31. Plaintiff's trademark, trade dress, patent, and copyright rights make it unlawful for competitors to infringe Plaintiff's rights.

a. Because of Plaintiff's NEGG[®] registered trademark, no competitor can lawfully use Plaintiff's NEGG[®] registered trademark in a manner that could cause confusion as to source.

b. Because of Plaintiff's copyrights for its packaging and trade dress rights, no competitor can lawfully copy Plaintiff's copyrighted expression or use packaging that could cause a likelihood of confusion as to the source of the competing product.

c. Because of Plaintiff's patent on its NEGG[®] product, no competitor can lawfully make, use, offer for sale, or sell a competing product that infringes Plaintiff's patent.

32. Like many other rights owners, Plaintiff suffers ongoing daily and sustained violations of its copyright, trademark and patent rights at the hands of counterfeiters and infringers, such as Defendants herein. Plaintiff is harmed, the consuming public is duped and confused, and the Defendants earn substantial profits in connection with the infringing conduct.

33. In order to combat the harm caused by the combined actions of Defendants and others engaging in similar infringing conduct, Plaintiff has expended significant resources in connection

with its intellectual property enforcement efforts. The recent explosion of infringement over the Internet has created an environment that requires companies to expend significant time and money across a wide spectrum of efforts in order to protect both consumers and itself from infringement of its copyrights, trademark rights and patent rights.

34. Upon information and belief, at all times relevant hereto, Defendants in this action had full knowledge of Plaintiff's copyrights, trademark rights, trade dress, and/or patent rights, including Plaintiff's exclusive right to use and license such intellectual property and the goodwill associated therewith.

a. Plaintiff has complied with Section 29 of the Lanham Act (15 U.S.C. § 1111) and has provided actual notice of its trademark registration for NEGG®. See Plaintiff's product insert (**Exhibit 2**).

b. Plaintiff gave written notices of infringement of one or more of its intellectual property rights to Alibaba (Alibaba.com and AliExpress.com) with respect to Seller IDs on **Schedule "A"**. On information and belief, Alibaba then provided written notice of the infringement.

b. Plaintiff gave written notices of infringement of one or more of its intellectual property rights to Amazon with respect to Seller IDs and/or infringing product ASIN numbers on **Schedule "A"**. On information and belief, Amazon then provided written notice of the infringement to contact email address for each Seller ID of each infringing product ASIN.

c. Plaintiff gave written notices of infringement of one or more of its intellectual property rights to Bonanza with respect to Seller IDs on **Schedule “A”**. On information and belief, Bonanza then provided written notice of the infringement.

d. Plaintiff gave written notice of infringement of one or more of its intellectual property rights to dhgate.com with respect to Seller IDs on **Schedule “A”**. On information and belief, dhgate.com then provided written notice of infringement.

e. Plaintiff gave written notices of infringement of one or more of its intellectual property rights to eBay with respect to Seller IDs on **Schedule “A”**. On information and belief, eBay then provided written notice of the infringement.

f. Plaintiff gave written notices of infringement of one or more of its intellectual property rights to Walmart with respect to Seller IDs on **Schedule “A”**. On information and belief, Walmart then provided written notice of the infringement.

g. Plaintiff gave written notices of infringement of one or more of its intellectual property rights to Context Logic (operator of Wish.com) with respect to Seller IDs on **Schedule “A”**. On information and belief, Context Logic then provided written notice of the infringement.

The Online Marketplace Platforms and Defendants’ User Accounts

35. Alibaba.com, AliExpress.com, Amazon.com, Bonanza.com, dhgate.com, eBay.com, Walmart.com, and Wish.com, are online marketplace platforms which allow manufacturers, wholesalers and other third party merchants, like Defendants, to advertise, distribute, offer for sale, sell and ship their wholesale and retail products originating from China directly to consumers worldwide and specifically to consumers residing in the United States, including New

York. Upon information and belief, the wish.com online marketplace platform is owned by ContextLogic, Inc., a Delaware corporation with a principal place of business at One Sansome Street, 40th floor, San Francisco, CA 94104.

36. Defendants are individuals and/or businesses, who, upon information and belief, are located in China but conduct business in the U.S. and other countries by means of their User Accounts and on their Merchant Storefronts on Wish as well as potentially yet undiscovered additional online marketplace platforms.

37. Through their Merchant Storefronts, Defendants offer for sale and/or sell consumer products, including Counterfeit Products, and target and ship such products to customers located in the U.S., including New York, and throughout the world.

Defendants' Infringing Activities

38. Upon information and belief, Defendants are promoting and advertising, distributing, selling and/or offering for sale inexpensive copies of Plaintiff's NEGG[®] product in interstate commerce that infringes Plaintiff's trademark rights, trade dress rights, and patent rights (collectively referred to as, "Infringing Product(s)" or "Counterfeit Product(s)"), through the fully interactive Internet based e-commerce stores operating under the Seller IDs.

a. The packaging for Defendants' competing goods uses identical copies of Plaintiff's Mark for different quality goods.

b. The packaging for Defendants' competing goods copies large amounts of Plaintiff's copyrighted expression for its packaging, and the similar trade dress creates a likelihood of confusion as to source.

c. Defendants' competing goods look nearly identical, which creates a likelihood of confusion as to source, as Defendants' competing goods are confusing similar imitations of Plaintiff's product.

d. Defendants make, use, offer for sale, or sell competing products that infringe Plaintiff's patent.

e. Some Defendants have used Plaintiff's NEGG[®] trademark on packaging or in advertisements to drive sales.

f. Defendants' competing goods are of a quality substantially and materially different than that of Plaintiff's genuine goods.

g. Defendants sell or offer the infringing goods for a retail price well below the usual retail price of Plaintiff's genuine patented product.

39. Defendants target their business activities towards consumers throughout the United States, including within this district, and conduct pervasive business through the operation of, at least, one fully interactive commercial Internet based e-commerce store via, at least, the Internet marketplace websites Alibaba.com, AliExpress.com Amazon.com, Bonanza.com, dhgate.com, eBay.com, Walmart.com, and Wish.com, under various Seller IDs, including the Seller IDs in **Schedule "A"**.

40. Defendants have purposefully directed some portion of their illegal activities towards consumers in the State of New York through the advertisement, offer to sell, sale, and/or shipment of infringing goods into the State.

41. Defendants are the past and present controlling forces behind the sale of products that infringe Plaintiff's intellectual property as described herein using at least the Seller Ids in

Schedule “A” and the Seller IDs associated with the infringing product ASIN numbers in **Schedule “A”**. Defendants have registered, established or purchased, and maintained their Seller Names.

42. Upon information and belief, some Defendants have anonymously registered and maintained some of the Seller IDs for the sole purpose of engaging in illegal counterfeiting or infringement activities. For instance, after notice that a particular Seller Name has sold an infringing product with a particular ASIN number, a new Seller Name will be used (*e.g.* a new “Just Launched Seller”) to sell the same infringing product under a new ASIN number associated with the new Seller Name. The result can be a never ending “Whack–A-Mole” situation where new infringers keep popping up.

43. Upon information and belief, Defendants will continue to register or acquire new Amazon Seller Name aliases for the purpose of selling and offering for sale goods that infringe Plaintiff’s trademark rights , trade dress rights, and patent rights unless preliminarily and permanently enjoined.

44. Defendants’ business names, *i.e.*, Seller IDs, associated payment accounts, and any other alias seller identification names used in connection with the sale of infringing goods are essential components of Defendants’ online activities and are one of the means by which Defendants further their infringing scheme and cause harm to Plaintiff. Moreover, Defendants are using without permission Plaintiff’s copyrights, trademarks, trade dress and patents to drive Internet consumer traffic to their e-commerce stores operating under their Seller IDs, thereby increasing the value of the Seller IDs and decreasing the size and value of Plaintiff’s legitimate marketplace and intellectual property rights at Plaintiff’s expense.

Harm to Plaintiff

45. Upon information and belief, Defendants are concurrently targeting their infringing activities toward consumers and causing harm within this district and elsewhere throughout the United States. As a result, Defendants are harming Plaintiff and the consuming public for Defendants' own benefit.

46. By their actions, Defendants have created an illegal marketplace operating in parallel to the legitimate marketplace for Plaintiff's genuine goods. Defendants are causing concurrent and indivisible harm to Plaintiff and the consuming public by (i) depriving Plaintiff and other third parties of their right to fairly compete for space within search engine results and reducing the visibility of Plaintiff's genuine goods on the World Wide Web, (ii) causing an overall degradation of the value of the goodwill associated with Plaintiff's trademark rights, and (iii) increasing Plaintiff's overall cost to market its goods and educate consumers about its brand via the Internet.

47. Plaintiff is suffering irreparable and indivisible injury and has suffered substantial damages as a result of Defendants' unauthorized and wrongful use of Plaintiff's intellectual property. The natural and intended byproduct of Defendants' actions is the erosion and destruction of the goodwill associated with Plaintiff's name and associated trademarks and the destruction of the legitimate market sector in which it operates.

48. Defendants' infringing products compete directly against Plaintiff's products. Defendants' infringement was a cause in Plaintiff's unit sales decreasing during the last several months over the same time period the previous year. Plaintiff has thus lost profits.

49. Plaintiff has suffered and will suffer irreparable injury as a result of Defendants' continued sale of infringing products, and monetary damages are inadequate to compensate Plaintiff for Defendants' continued sale of infringing products.

a. Defendants sell cheaper and inferior competing egg peeler products that infringe upon Plaintiff's copyrights, trademarks, trade dress, and patents. Defendants' sale of infringing products has caused Plaintiff loss of market share, reputational harm, lost profits and/or jeopardy to Plaintiff's competitive position.

b. Plaintiff cannot effectively exercise its rights under copyright, trademark, trade dress, and patent which also damages Plaintiff's relationship with its actual and/or potential re-sellers.

c. Defendants have infringed in the past and threaten to infringe in the future.

50. Upon information and belief, Defendants' payment and financial accounts are being used by Defendants to accept, receive, and deposit profits from Defendants' trademark counterfeiting and infringing and unfairly competitive activities connected to their Seller IDs and any other alias domain names or seller identification names being used and/or controlled by them.

51. Plaintiff has no adequate remedy at law. Upon information and belief, Defendants are likely to transfer or secret their assets to avoid payment of any monetary judgment awarded to Plaintiff.

52. Defendants would suffer no cognizable harm from ceasing infringing conduct.

a. Defendants have no right to sell products that infringe Plaintiff's copyrights, trademark rights, trade dress rights, and patent rights.

b. Defendants sell other products, so they would suffer little harm if they stopped selling the infringing products at issue in this lawsuit.

c. Plaintiff will suffer great harm to its competitive position and business if Defendants sell products that infringe Plaintiff's rights.

53. The public interest will be served when it protects Plaintiff from infringement of its copyright, trademark and/or patent rights.

54. Defendants are engaging in the above-described illegal counterfeiting and infringing activities knowingly and intentionally or with reckless disregard or willful blindness to Plaintiff's rights. If Defendants' infringing activities are not preliminarily and permanently enjoined by this Court, Plaintiff and the consuming public will continue to be harmed.

**COUNT I - TRADEMARK COUNTERFEITING AND INFRINGEMENT
PURSUANT TO § 32 OF THE LANHAM ACT (15 U.S.C. § 1114)**

55. Plaintiff hereby adopts and re-alleges the allegations set forth in the preceding paragraphs as if set forth herein.

56. This is an action for trademark counterfeiting and infringement against Defendants based on their use of counterfeit and confusingly similar imitations of Plaintiff's Mark in commerce in connection with the promotion, advertisement, distribution, offering for sale, and sale of the Counterfeit Goods.

57. Specifically, Defendants are promoting and otherwise advertising, selling, offering for sale, and distributing products bearing and/or using counterfeits and/or infringements of one or more of Plaintiff's Mark. Defendants are continuously infringing and inducing others to infringe Plaintiff's Mark by using them to advertise, promote, offer to sell, and/or sell goods bearing and/or using Plaintiff's Mark.

58. Defendants' concurrent counterfeiting and infringing activities are likely to cause and actually are causing confusion, mistake and deception among members of the trade and the general consuming public as to the origin and quality of Defendants' Counterfeit Goods.

59. Defendants' unlawful actions have caused and are continuing to cause unquantifiable damages to Plaintiff and are unjustly enriching Defendants with profits at Plaintiff's expense.

60. Defendants' above-described illegal actions constitute counterfeiting and infringement of Plaintiff's Marks in violation of Plaintiff's rights under § 32 of the Lanham Act, 15 U.S.C. § 1114.

61. Plaintiff has suffered and will continue to suffer irreparable injury and damages due to Defendants' above described activities if Defendants are not preliminarily and permanently enjoined. Additionally, Defendants will continue to wrongfully profit from their illegal activities.

62. Based on Defendants' actions as alleged herein, Plaintiff is entitled to injunctive relief, damages for the irreparable harm that Plaintiff has sustained, and will sustain, as a result of Defendants' unlawful and infringing actions, as alleged herein, and all gains, profits and advantages obtained by Defendants as a result thereof, enhanced discretionary damages, treble damages and/or statutory damages up to \$2,000,000 per counterfeit mark per type of goods sold, offered for sale or distributed and reasonable attorneys' fees and costs.

COUNT II - FALSE DESIGNATION OF ORIGIN, PASSING OFF & UNFAIR COMPETITION PURSUANT TO § 43(a) OF THE LANHAM ACT (15 U.S.C. § 1125(a))

63. Plaintiff hereby adopts and re-alleges the allegations set forth in the preceding paragraphs as if set forth herein.

64. Plaintiff's Marks are inherently distinctive and/or have acquired distinctiveness.

65. Upon information and belief, Defendants' Counterfeit Goods using, offered for sale, and sold under copies of Plaintiff's Mark have been widely advertised, offered for sale, and distributed throughout the United States via Internet websites and Internet marketplace websites.

66. Defendants' Counterfeit Goods using, offered for sale and sold under copies of Plaintiff's Mark are virtually identical in appearance to Plaintiff's respective, genuine goods. However, Defendants' Counterfeit Goods are different and likely inferior in quality. Accordingly, Defendants' activities are likely to cause confusion in the trade and among the general public as to at least the origin or sponsorship of their Counterfeit Goods.

67. Defendants, upon information and belief, have used in connection with their advertisement, offers for sale, and sale of the Counterfeit Goods, false designations of origin and false descriptions and representations, including words or other symbols and trade dress which tend to falsely describe or represent such goods and have caused such goods to enter into commerce with full knowledge of the falsity of such designations of origin and such descriptions and representations, all to Plaintiff's detriment.

68. Defendants have authorized infringing uses of Plaintiff's Mark in Defendants' advertisement and promotion of their counterfeit and infringing branded goods. Defendants have also misrepresented to members of the consuming public that the Counterfeit Goods being advertised and sold by them are genuine, non-infringing goods.

69. Defendants knowingly and willfully used in commerce products and/or packaging designs that are identical or confusingly similar to, and constitute reproductions of Plaintiff's Marks and affixed, applied and used false designations of origin and false and misleading descriptions and representations on or in connection with the manufacturing, importing, exporting, advertising, marketing, promoting, distributing, displaying, offering for sale and/or

sale of Counterfeit Products with the intent to cause confusion, to cause mistake and to deceive the purchasing public into believing, in error, that Defendants' substandard Counterfeit Products are Plaintiff's or related products, and/or that Defendants' Counterfeit Products are authorized, sponsored, approved, endorsed or licensed by Plaintiff and/or that Defendants are affiliated, connected or associated with Plaintiff, thereby creating a likelihood of confusion by consumers as to the source of such Counterfeit Products, and allowing Defendants to capitalize on the goodwill associated with, and the consumer recognition of, the Plaintiff's Marks and products, to Defendants' substantial profit in blatant disregard of Plaintiff's rights.

70. Additionally, Defendants are using counterfeits and infringements of Plaintiff's Mark in order to unfairly compete with Plaintiffs and others for space within search engine organic results, thereby jointly depriving Plaintiffs of a valuable marketing and educational tool which would otherwise be available to Plaintiffs and reducing the visibility of Plaintiff's genuine goods on the World Wide Web.

71. Defendants' above-described actions are in violation of Section 43(a) of the Lanham Act, 15 U.S.C. §1125(a).

72. Plaintiffs have no adequate remedy at law, and have each sustained indivisible injury and damage caused by Defendants' concurrent conduct. Absent an entry of an injunction by this Court, Defendants will continue to wrongfully reap profits and Plaintiff will continue to suffer irreparable injury to their respective goodwill and business reputations, as well as monetary damages.

73. Based on Defendants' wrongful conduct, Plaintiff is entitled to injunctive relief as well as monetary damages and other remedies as provided by the Lanham Act, including damages that Plaintiff has sustained and will sustain as a result of Defendants' illegal and

infringing actions as alleged herein, and all gains, profits and advantages obtained by Defendants as a result thereof, enhanced discretionary damages and reasonable attorneys' fees and costs.

COUNT III – PATENT INFRINGEMENT (35 U.S.C. § 271(a))

74. Plaintiff hereby adopts and re-alleges the allegations set forth in the preceding paragraphs as if set forth herein.

75. Plaintiff is the owner of U.S. Patent No. 9,968,211 (“the ‘211 patent”), issued May 15, 2018, for “PERSONAL EGG PEELER” and which covers Plaintiff’s NEGG[®] product. A true and correct copy of which is attached as **Exhibit 3**.

76. Defendants have infringed and continue to infringe the ‘211 patent either directly or indirectly through acts of contributory infringement or inducement in violation of 35 U.S.C. § 271, by making, using, selling, importing and/or offering to sell infringing products, namely the personal egg peelers that are nearly identical to Plaintiff’s NEGG[®] product. .

77. Defendants’ infringement, contributory infringement and/or inducement to infringe has injured Plaintiff and it, therefore, is entitled to recover damages adequate to compensate it for such infringement, but in no event less than a reasonable royalty.

78. Defendants’ infringement, contributory infringement and/or inducement to infringe has been willful and deliberate because Defendants have notice of or knew of the ‘211 patent and have nonetheless injured and will continue to injure Plaintiff, unless and until this Court enters an injunction, which prohibits further infringement and specifically enjoins further manufacture, use, sale, importation and/or offer for sale of products or services that come within the scope of the ‘211 patent.

79. Based on Defendants' wrongful conduct, Plaintiff is entitled to injunctive relief as well as monetary damages and other remedies as provided by the Patent Act, including damages that Plaintiff has sustained and will sustain as a result of Defendants' illegal and infringing actions as alleged herein, enhanced discretionary damages and reasonable attorneys' fees and costs.

COUNT IV - COMMON LAW UNFAIR COMPETITION

80. Plaintiff hereby adopts and re-alleges the allegations set forth in the preceding paragraphs as if set forth herein.

81. This is an action against Defendants based on their promotion, advertisement, distribution, sale, and/or offering for sale of goods bearing and/or using marks that are virtually identical, both visually and phonetically, to Plaintiff's Mark in violation of New York's common law of unfair competition.

82. Specifically, Defendants are promoting and otherwise advertising, selling, offering for sale, and distributing goods bearing and/or using counterfeits and infringements of Plaintiff's Marks. Defendants are also using counterfeits and infringements of Plaintiff's Mark to unfairly compete with Plaintiff and others for (i) space in search engine results across an array of search terms and (ii) visibility on the World Wide Web.

83. Defendants' infringing activities are likely to cause and actually are causing confusion, mistake, and deception among members of the trade and the general consuming public as to the origin and quality of Defendants' products by their use of Plaintiff's Mark.

84. Plaintiff has no adequate remedy at law and are suffering irreparable injury and damages as a result of Defendants' actions.

85. As a result of Defendants' actions alleged herein, Plaintiff is entitled to injunctive relief, an order granting Plaintiff's damages and Defendants' profits stemming from their infringing activities, and exemplary or punitive damages for Defendants' intentional misconduct.

COUNT IV - COMMON LAW TRADEMARK INFRINGEMENT

86. Plaintiff hereby adopts and re-alleges the allegations set forth in the preceding paragraphs as if set forth herein.

87. This is an action for common law trademark infringement against Defendants based on their promotion, advertisement, offering for sale, and sale of their Counterfeit Goods bearing and/or using Plaintiff's Mark. Plaintiff is the owners of all common law rights in and to Plaintiff's Mark.

88. Specifically, Defendants, upon information and belief, are manufacturing, promoting and otherwise advertising, distributing, offering for sale, and selling goods bearing and/or using infringements of Plaintiff's Marks.

89. Defendants' infringing activities are likely to cause and actually are causing confusion, mistake and deception among members of the trade and the general consuming public as to the origin and quality of Defendants' Counterfeit Goods bearing and/or using Plaintiff's Mark.

90. Plaintiff has no adequate remedy at law and is suffering damages and irreparable injury as a result of Defendants' actions.

PRAYER FOR RELIEF

WHEREFORE, Plaintiff demands judgment on all Counts of this Complaint and an award of equitable relief and monetary relief against Defendants as follows:

a. Entry of temporary, preliminary and permanent injunctions pursuant to 15 U.S.C. § 1116, 35 U.S.C. § 283, and Federal Rule of Civil Procedure 65 enjoining Defendants, their agents, representatives, servants, employees, and all those acting in concert or participation therewith, from manufacturing or causing to be manufactured, importing, advertising or promoting, distributing, selling or offering to sell their Counterfeit Goods; from infringing, counterfeiting, or diluting Plaintiff's Mark; from using Plaintiff's Mark, or any mark or trade dress similar thereto, in connection with the sale of any unauthorized goods; from using any logo, trade name or trademark or trade dress that may be calculated to falsely advertise the services or goods of Defendants as being sponsored by, authorized by, endorsed by, or in any way associated with Plaintiff; from falsely representing themselves as being connected with Plaintiff, through sponsorship or association, or engaging in any act that is likely to falsely cause members of the trade and/or of the purchasing public to believe any goods or services of Defendants are in any way endorsed by, approved by, and/or associated with Plaintiff; from using any reproduction, counterfeit, infringement, copy, or colorable imitation of Plaintiff's Mark in connection with the publicity, promotion, sale, or advertising of any goods sold by Defendants; from affixing, applying, annexing or using in connection with the sale of any goods, a false description or representation, including words or other symbols tending to falsely describe or represent Defendants' goods as being those of Plaintiff, or in any way endorsed by Plaintiff and from offering such goods in commerce; from engaging in search engine optimization strategies using colorable imitations of Plaintiff's name or trademark; from further infringement, inducement and contributory infringement of the patent-in-suit; and from otherwise unfairly competing with Plaintiff.

c. Entry of an Order that, upon Plaintiff's request, any Internet marketplace website operators and/or administrators that are provided with notice of the injunction, including but not limited to Amazon.com, dhgate.com, eBay.com, Bonanza.com, Walmart.com, Alibaba.com, and AliExpress.com, and ContextLogic, Inc., which operates the Wish.com platform, identify any e-mail address known to be associated with Defendants' respective Seller ID, and cease facilitating access to any or all e-commerce stores through which Defendants engage in the promotion, offering for sale, and/or sale of goods bearing and/or using counterfeits and/or infringements of Plaintiff's Mark.

d. Entry of an Order that, upon Plaintiff's request, any Internet marketplace website operators and/or administrators who are provided with notice of the injunction, including but not limited to Amazon.com, dhgate.com, eBay.com, Bonanza.com, Walmart.com, Alibaba.com, and AliExpress.com, and ContextLogic, Inc., which operates the Wish.com platform, permanently remove any and all listings and associated images of goods bearing and/or using counterfeits and/or infringements of Plaintiff's Mark via the e-commerce stores operating under the Seller IDs, including any and all listings and images of goods bearing and/or using counterfeits and/or infringements of Plaintiff's Mark linked to the same seller or linked to any other alias seller identification name being used and/or controlled by Defendants to promote, offer for sale and/or sell goods bearing and/or using counterfeits and/or infringements of Plaintiff's Mark.

e. Entry of an Order that, upon Plaintiff's request, any Internet marketplace website operators and/or administrators who are provided with notice of the injunction, including but not limited to Amazon.com, dhgate.com, eBay.com, Bonanza.com, Walmart.com, Alibaba.com, and AliExpress.com, and ContextLogic, Inc., which operates the Wish.com platform, immediately cease fulfillment of and sequester all goods of each Defendant bearing and/or using one or more

of Plaintiff's Marks in its inventory, possession, custody, or control, and surrender those goods to Plaintiff.

f. Entry of an order requiring Defendants to account to and pay Plaintiff for all profits and damages resulting from Defendants' trademark counterfeiting and infringing and unfairly competitive activities and that the award to Plaintiff be trebled, as provided for under 15 U.S.C. §1117, or, at Plaintiff's election with respect to Count I, that Plaintiffs be awarded statutory damages from each Defendant in the amount of two million dollars (\$2,000,000.00) per each counterfeit trademark used and product sold, as provided by 15 U.S.C. §1117(c)(2) of the Lanham Act.

g. Entry of an award pursuant to 15 U.S.C. § 1117 (a) and (b) of Plaintiff's costs and reasonable attorneys' fees and investigative fees associated with bringing this action.

h. Entry an order awarding Plaintiff damages adequate to compensate for the infringement of its patent, but in no event less than a reasonable royalty for the use made of the invention by the Defendants, together with interest and costs as fixed by the Court pursuant to 35 U.S.C. § 284 and that the award be trebled as provided for under 35 U.S.C. §284.

i. Entry of an Order finding that this case is exceptional and an award to Plaintiff of its attorney fees and costs as provided by for under 35 U.S.C. § 205.

j. Entry of an Order that, upon Plaintiff's request, any financial institutions, payment processors, banks, escrow services, money transmitters, or marketplace platforms, including but not limited to, including the Alibaba Group d/b/a Alibaba.com and Aliexpress.com ("Alibaba") payment services (*e.g.*, Alipay.com Co., Ltd., Ant Financial Services), Amazon Payments, Inc. ("Amazon"), eBay Inc. ("eBay"), PayPal Inc. ("PayPal"), Payoneer Inc. ("Payoneer"), Dunhuang

Group d/b/a DHgate.com (“DHgate”) payment services DHpay.com, PingPong Global Solutions, Inc. (“PingPong”), Walmart.com, and Context Logic, Inc. (“Context Logic”) and their related companies and affiliates, identify and restrain all funds, up to and including the total amount of judgment, in all financial accounts and/or sub-accounts used in connection with the Seller IDs or other domain names, alias seller identification names, or e-commerce store names or store URLs used by Defendants presently or in the future, as well as any other related accounts of the same customer(s) and any other accounts which transfer funds into the same financial institution account(s), to be surrendered to Plaintiff in partial satisfaction of the monetary judgment entered herein.

k. Entry of an award of pre-judgment interest on the judgment amount.

l. Entry of an order for any further relief as the Court may deem just and proper.

/

/

/

/

/

/

/

/

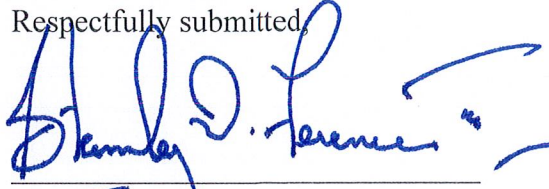
/

/

DEMAND FOR JURY TRIAL

Plaintiff respectfully demands a trial by jury on all claims.

Respectfully submitted,



Dated: July 6, 2018

Stanley D. Ference III (SF 1086)
courts@ferencelaw.com

FERENCE & ASSOCIATES LLC
409 Broad Street
Pittsburgh, PA 15143
Telephone: (412) 741-8400
Facsimile: (412) 741-9292

Attorneys for Plaintiff
Airigan Solutions, Inc.

Of Counsel:

Brian Samuel Malkin
Norbert Lazar
FERENCE & ASSOCIATES LLC
409 Broad Street
Pittsburgh, Pennsylvania 15143
Telephone: (412) 741-8400
Facsimile: (412) 741-9292

SCHEDULE "A"

Platform	Name/ID	ASIN/Prod ID/URL
Alibaba.com	Yiwu Lanhome Jewelry Co., Ltd.	http://www.alibaba.com/product-gs/607707061889/Hotting_Egg_Shell_Peeler_Peeling_Kitchen.html
Alibaba.com	Ningbo Glory Imp & Exp Co., Limited	http://www.alibaba.com/product-gs/60735631699/Egg_peeler_NEW.html
Alibaba.com	Ningbo Jiangbei Jiamin Commodity Co., Ltd.	http://www.alibaba.com/product-gs/60748708232/Scientific_principle_instantly_whole_egg_shell.html
Alibaba.com	Ningbo Mateyness Household Co., Ltd	http://www.alibaba.com/product-gs/60767892976/Magic_Boiled_Egg_Peeler_Shell_Remover.html
Alibaba.com	Jiangshan Topme Import & Export Co., Ltd.	http://www.alibaba.com/product-gs/60744710801/Boiled_Egg_Shell_Peeler_Peeling_Kitchen.html
Alibaba.com	Yiwu Joyful Commodity Factory	http://www.alibaba.com/product-gs/60755683587/Boiled_Egg_Stripper_Shell_Peeler_Peeling.html
Alibaba.com	Ninghai Honghao Plastic Co., Ltd.	http://www.alibaba.com/product-gs/60766881959/Plastic_Egg_Peeler.html
Alibaba.com	Huizhou Kangning Industrial Co., Ltd	http://www.alibaba.com/product-gs/60756633069/Boiled_Egg_Peeler.html
Alibaba.com	Ningbo Ontime Imp. & Exp. Co., Ltd.	http://www.alibaba.com/product-gs/60783452015/Hard_Boiled_Eggs_Peeler_Cracker_Boiled.html
Alibaba.com	Ningbo Haishu Greenwell Commodity Industrial Co., Ltd.	http://www.alibaba.com/product-gs/60765626122/Greenwell_hot_sale_egg_peeler_magic.html
Alibaba.com	Hefei Fengzhisheng Trade Co., Ltd	http://www.alibaba.com/product-gs/60751634037/Hot_Selling_Egg_shell_peeler_stripper.html
Alibaba.com	Shenzhen Love Home Wholesale Co., Ltd	http://www.aliexpress.com/item/Egg-Scissors-Cooked-Egg-Peeler-Hard-Hard-Boiled-Boiled-Egg-Shell-Peeler-Peeling-Cooking-Tool-Kitchen/32859319829.html
Alibaba.com	Ningbo Limkong International Trade Co	https://www.alibaba.com/product-detail/Fun-Cooking-Gadgets-for-the-Family_60776409729.htm?spm=a2700.7724838.2017115.1.4fe45500IXveul
Alibaba.com	Yiwu Aliyou Commodity Ltd.	https://www.alibaba.com/product-detail/Boiled-Egg-Shell-Peeler-Peeling-Kitchen_60752731931.html?spm=0.galleryofferlist.normalList.337.59227495yRDQal
Alibaba.com	Shantou Chenghai Today Trading Firm	https://www.alibaba.com/product-detail/hard-boiled-egg-cooker-egg-peeler_60754839992.html?spm=a2700.galleryofferlist.normalList.142.2ea67495LDueXH
Alibaba.com	Ningbo Jiewei Kitchenware Co., Ltd.	https://www.alibaba.com/product-detail/Customize-Egg-Peeler-Hard-Boiled-Egg_60754569548.html?spm=a2700.galleryofferlist.normalList.56.242b7495ZZCmOB
Aliexpress.com	Shenzhen Vakind Technology Co., Ltd. https://vakind.aliexpress.com/store/203288	http://www.aliexpress.com/item/Plastic-Egg-Shell-Peeler-Egg-Slicer-Cutter-Egg-Shell-Separator-Scissors-Peeling-Tool-Household-Kitchen-Cooking/32858171417.html
Aliexpress.com	Pawprint Store https://www.aliexpress.com/store/2675065	http://www.aliexpress.com/item/2018-New-arrival-Egg-Shell-Peeler-Egg-Slicer-Cutter-Peeling-Tool-egg-Peeler-Kitchen-Tool-Home/32846925596.html
Aliexpress.com	1st kitchen Store	http://www.aliexpress.com/item/IVYSHION-Egg-Shell-Peelers-Slicer-Remover-Dividers-Plastic-Egg-Scissor-Cutter-Handle-Egg-Tools-Drop-Shipping/32857952797.html
Aliexpress.com	Good Lifestyle Store https://www.aliexpress.com/store/2496049	http://www.aliexpress.com/item/Egg-Shell-Peeler-Egg-Slicer-Cutter-Kitchen-Peeling-Tool-Egg-Peeler-for-Home-Kitchen-Accessories-Egg/32852766486.html
Aliexpress.com	Hinta Dropshipping Store https://www.aliexpress.com/store/all-wholesale-products/3155043.html	http://www.aliexpress.com/item/Creative-Cooked-Egg-Peeler-Hard-Boiled-Egg-Shell-Peeler-Peeling-Kitchen-Tool/32860312736.html
Aliexpress.com	WholeWorld Store https://www.aliexpress.com/store/1463728	http://www.aliexpress.com/item/Cooked-Egg-Peeler-Hard-Hard-Boiled-Boiled-Eggs-Shell-Peelers-Peeling-Kitchen-Tool-Home-egg-slicer/32858078185.html
Aliexpress.com	StarStar Store https://believe.aliexpress.com/store/2784019	http://www.aliexpress.com/item/Cooked-Egg-Peeler-Hard-Hard-Boiled-Boiled-Eggs-Shell-Peelers-Peeling-Kitchen-Tool-Home-egg-slicer/32857902336.html

SCHEDULE "A"

Platform	Name/ID	ASIN/Prod ID/URL
Aliexpress.com	CCTX Store https://www.aliexpress.com/store/3363024	http://www.aliexpress.com/item/2018-Cooked-Egg-Peeler-Hard-Hard-Boiled-Boiled-Egg-Shell-Peeler-Peeling-Kitchen-Tool-AP6/32860921958.html
Aliexpress.com	MUQGEW Pets Store https://www.aliexpress.com/store/3243081	http://www.aliexpress.com/item/Cooked-Egg-Peeler-Hard-whisk-Boiled-Egg-Shell-poached-Peeling-Kitchen-Tool-shape-for-egg-cutter/32857081274.html
Aliexpress.com	KitchenMall Store https://www.aliexpress.com/store/all-wholesale-products/3402012.html	http://www.aliexpress.com/item/New-Arrival-Egg-Shell-Peeler-Egg-Slicer-Cutter-Kitchen-Peeling-Tool-Egg-Peeler-For-Home-Kitchen/32854213530.html
Aliexpress.com	Me&My House China Textile Retail Store https://www.aliexpress.com/store/2227092	http://www.aliexpress.com/item/Peeler-Cooked-Egg-Peeler-Hard-Hard-Boiled-Boiled-Egg-Shell-Peeler-Peeling-Kitchen-Tool-Drop-Shipping/32859923071.html
Aliexpress.com	punkgirl store https://www.aliexpress.com/store/1191437	http://www.aliexpress.com/item/Egg-Peeler-Sheller-Peeling-Machine-Hard-Boiled-Convenient-Kitchen-Paring-Tool-TB-Sale/32882869849.html
Aliexpress.com	Umaru's Houseware Store	http://www.aliexpress.com/item/2018-New-Arrival-Egg-Shell-Peeler-Egg-Slicer-Cutter-Peeling-Tool-Hard-Boiled-Egg-Peeler-Kitchen/32872366542.html
Aliexpress.com	Living Life Store	http://www.aliexpress.com/item/Egg-Scissors-Cooked-Egg-Peeler-Hard-Hard-Boiled-Boiled-Egg-Shell-Peeler-Peeling-Cooking-Tool-Kitchen/32885412119.html
Aliexpress.com	Fantasy Garden & Life House Store https://www.aliexpress.com/store/2802127	http://www.aliexpress.com/item/Egg-Shell-Peeler-Egg-Slicer-Cutter-Peeling-Tool-Boiled-Egg-Peeler-Home-Egg-Slicer-Kitchen-Gadgets/32866539668.html
Aliexpress.com	My House Store Store	http://www.aliexpress.com/item/Egg-Tool-Cooked-Egg-Peeler-Hard-Kitchen-Tool-Boiled-Egg-Shell-Peeler-Peeling-Cooking-Tools-18MAR23/32859694732.html
Aliexpress.com	Brunch Lifestyle Store https://www.aliexpress.com/store/all-wholesale-products/3239033.html	http://www.aliexpress.com/item/2018-New-Arrival-Egg-Shell-Peeler-Plastic-Creative-Egg-Slicer-Cutter-Peeling-Tool-Egg-Peeler-Kitchen/32858119756.html
Aliexpress.com	Transhome Dropshipping Kitchen Store https://www.aliexpress.com/store/1713132	http://www.aliexpress.com/item/I Pes-Negg-Egg-Peeler-Scissors-Slicers-Dividers-Egg-Tools-Kitchen-Gadgets-Accessories-Drop-Shipping/32852209033.html
Aliexpress.com	Believer Store https://www.aliexpress.com/store/all-wholesale-products/3676003.html	http://www.aliexpress.com/item/I pcs-Negg-Egg-Peeler-Scissors-Slicers-Dividers-Egg-Tools-Kitchen-Gadgets-Accessories-Drop-Shipping/32868876371.html
Aliexpress.com	JOY HOME Mall https://www.aliexpress.com/store/1997038	http://www.aliexpress.com/item/Negg-Egg-Shell-Peeler-Kitchen-Tool-Home-Egg-Peeling-Tool/32856628180.html
Aliexpress.com	MIAONV Store https://www.aliexpress.com/store/2885134	http://www.aliexpress.com/item/I pcs-Negg-Egg-Peeler-Scissors-Slicers-Dividers-Egg-Tools-Kitchen-Gadgets-Accessories-Drop-Shipping/32871422984.html
Aliexpress.com	Dropship Hotsale Store https://www.aliexpress.com/store/3617125	http://www.aliexpress.com/item/Dropshipping-New-Clever-Negg-Boiled-Egg-Peeler-Magic-Egg-Sheller-Dividers-Eggshell-Separator-Peeling-Kitchen-Gadget/32867913687.html
Aliexpress.com	Hallelujah https://www.aliexpress.com/store/326030	http://www.aliexpress.com/item/200pcs-New-Arrival-Negg-Egg-Shell-Peeler-Kitchen-Tool-Home-Egg-Peeling-Tools-egg-scissors-/32863710267.html

Platform	Name/ID	ASIN/Prod ID/URL
Aliexpress.com	Shanghai Jenny https://www.aliexpress.com/store/1971468	http://www.aliexpress.com/item/1pcs-Negg-Egg-Peeler-Scissors-Slicers-Dividers-Egg-Tools-Kitchen-Gadgets-Accessories-Drop-Shipping/32871470424.html
Aliexpress.com	FL YXF Store https://www.aliexpress.com/store/4033097	http://www.aliexpress.com/item/1pcs-Negg-Egg-Peeler-Scissors-Slicers-Dividers-Egg-Tools-Kitchen-Gadgets-Accessories-Drop-Shipping/32883983270.html
Aliexpress.com	Getyoursave https://www.aliexpress.com/store/1491004	http://www.aliexpress.com/item/1pcs-Negg-Egg-Peeler-Scissors-Slicers-Dividers-Egg-Tools-Kitchen-Gadgets-Accessories-Drop-Shipping/32871454519.html
Aliexpress.com	My SweetHome Store https://www.aliexpress.com/store/1656297	http://www.aliexpress.com/item/Egg-Shell-Peeler-Peeling-Tool-Boiled-Egg-Peeler-for-Kitchen-Egg-Boiled-Egg-Peeler/32871670399.html
Aliexpress.com	Lucky Yune Store https://www.aliexpress.com/store/3659035	http://www.aliexpress.com/item/THE-NEGG-BOILED-EGG-PEELER/32859587697.html
Aliexpress.com	Dropshipping Store	http://www.aliexpress.com/item/Amazon-Explosion-Negg-egg-peeler-Egg-Shell-Sheller-Wapiti-Magic-Eggshell-Separator/32867272286.html
Aliexpress.com	Transhome Dropshipping Kitchen Store https://www.aliexpress.com/store/1713132	https://www.aliexpress.com/item/Transhome-10-Seconds-Egg-Stripper-Negg-Egg-Peeler-The-Goods-For-Kitchen-Dropshipping-Wholesalers-Bestsellers/32865657523.html?spm=2114.search0104.3.2.6d577040ajAklw&ws_ab_test=searchweb0_0_searchweb201602_2_10152_10151_10065_10344_10130_10068_10324_10547_10342_10325_10546_10343_10340_10548_10341_10545_1_10696_10084_10083_10618_10307_10059_100031_524_10103_10624_10623_10622_10621_10620_searchweb201603_31_ppcSwitch_4&algo_expid=50a99ea7-fd9c-43e3-96be-6c9064166c35-0&algo_pvid=50a99ea7-fd9c-43e3-96be-6c9064166c35&priceBeautifyAB=0
Aliexpress.com	Missing You Store https://www.aliexpress.com/store/4086012	https://www.aliexpress.com/item/new-10-Seconds-Egg-Stripper-Negg-Egg-Peeler-The-Goods-For-Kitchen-Dropshipping-Wholesalers-Bestsellers/1000006079873.html?spm=2114.search0104.3.8.6d577040ajAklw&ws_ab_test=searchweb0_0_searchweb201602_2_10152_10151_10065_10344_10130_10068_10324_10547_10342_10325_10546_10343_10340_10548_10341_10545_1_10696_10084_10083_10618_10307_10059_100031_524_10103_10624_10623_10622_10621_10620_searchweb201603_31_ppcSwitch_4&algo_expid=50a99ea7-fd9c-43e3-96be-6c9064166c35-1&algo_pvid=50a99ea7-fd9c-43e3-96be-6c9064166c35&priceBeautifyAB=0
Aliexpress.com	Miss U Store https://www.aliexpress.com/store/4086007	https://www.aliexpress.com/item/10-Seconds-Egg-Stripper-Negg-Egg-Peeler-The-Goods-For-Kitchen-Dropshipping-Wholesalers-Bestsellers/1000005839719.html?spm=2114.search0104.3.13.6d577040ajAklw&ws_ab_test=searchweb0_0_searchweb201602_2_10152_10151_10065_10344_10130_10068_10324_10547_10342_10325_10546_10343_10340_10548_10341_10545_1_10696_10084_10083_10618_10307_10059_100031_524_10103_10624_10623_10622_10621_10620_searchweb201603_31_ppcSwitch_4&algo_expid=50a99ea7-fd9c-43e3-96be-6c9064166c35-2&algo_pvid=50a99ea7-fd9c-43e3-96be-6c9064166c35&priceBeautifyAB=0

Platform	Name/ID	ASIN/Prod ID/URL
Aliexpress.com	Homey Kitchen Store https://www.aliexpress.com/store/all-wholesale-products/2784165.html https://www.aliexpress.com/store/2784165?spm=2114.12010615.0.0.30dc4359HlnKD6	https://www.aliexpress.com/item/BOILED-EGG-PEELER-Egg-Shell-Peeler-Egg-Scissors-Slicers-Dividors-Cutter-Peeling-Tool-for-Home-Kitchen/32871051082.html?spm=2114.search0104.3.49.5c0479d6RsC7pZ&ws_ab_test=searchweb0_0,searchweb201602_2_10152_10151_10065_10344_10130_10068_10324_10547_10342_10325_10546_10343_10340_10548_10341_10545_10696_10084_10083_10618_10307_10059_100031_524_10103_10624_10623_10622_10621_10620,searchweb201603_31,ppcSwitch_4&algo_expid=4c8e9ce4-e2b1-4938-bf52-6b9a0eb82404-7&algo_pvid=4c8e9ce4-e2b1-4938-bf52-6b9a0eb82404&priceBeautyAB=0
Aliexpress.com	Warm Harbor Store https://www.aliexpress.com/store/3204007	https://www.aliexpress.com/item/HOT-Egg-Shell-Peeler-Egg-Slicer-Cutter-Peeling-Tool-egg-Peeler-Kitchen-Tool-Home-Egg-Slicer/32860403350.html?spm=2114.search0104.3.81.5c0479d6RsC7pZ&ws_ab_test=searchweb0_0,searchweb201602_2_10152_10151_10065_10344_10130_10068_10324_10547_10342_10325_10546_10343_10340_10548_10341_10545_10696_10084_10083_10618_10307_10059_100031_524_10103_10624_10623_10622_10621_10620,searchweb201603_31,ppcSwitch_4&algo_expid=4c8e9ce4-e2b1-4938-bf52-6b9a0eb82404-12&algo_pvid=4c8e9ce4-e2b1-4938-bf52-6b9a0eb82404&priceBeautyAB=0
Aliexpress.com	Leading your life Store https://www.aliexpress.com/store/2937009	https://www.aliexpress.com/item/Egg-Shell-Peeler-Egg-Slicer-Cutter-Peeling-Tool-Boiled-Egg-Peeler-Home-Egg-Slicer-Kitchen-Gadgets/32862704199.html?spm=2114.search0104.3.141.5c0479d6RsC7pZ&ws_ab_test=searchweb0_0,searchweb201602_2_10152_10151_10065_10344_10130_10068_10324_10547_10342_10325_10546_10343_10340_10548_10341_10545_10696_10084_10083_10618_10307_10059_100031_524_10103_10624_10623_10622_10621_10620,searchweb201603_31,ppcSwitch_4&algo_expid=4c8e9ce4-e2b1-4938-bf52-6b9a0eb82404-21&algo_pvid=4c8e9ce4-e2b1-4938-bf52-6b9a0eb82404&priceBeautyAB=0
Aliexpress.com	Practical Kitchen Store https://www.aliexpress.com/store/3111053?spm=2114.12010615.0.0.1ed46a4dtEJ85I	https://www.aliexpress.com/item/2018-New-arrival-Egg-Shell-Peeler-Egg-Slicer-Cutter-Peeling-Tool-egg-Peeler-Kitchen-Tool-Home/32869188292.html?spm=2114.search0104.3.148.5c0479d6RsC7pZ&ws_ab_test=searchweb0_0,searchweb201602_2_10152_10151_10065_10344_10130_10068_10324_10547_10342_10325_10546_10343_10340_10548_10341_10545_10696_10084_10083_10618_10307_10059_100031_524_10103_10624_10623_10622_10621_10620,searchweb201603_31,ppcSwitch_4&algo_expid=4c8e9ce4-e2b1-4938-bf52-6b9a0eb82404-22&algo_pvid=4c8e9ce4-e2b1-4938-bf52-6b9a0eb82404&priceBeautyAB=0
Aliexpress.com	Practical Kitchen Store https://www.aliexpress.com/store/3111053?spm=2114.12010615.0.0.1ed46a4dtEJ85I	https://www.aliexpress.com/item/Egg-Shell-Peeler-Egg-Slicer-Cutter-Peeling-Tool-Boiled-Egg-Peeler-Home-Egg-Slicer-Kitchen-Gadgets/32872427379.html?spm=2114.search0104.3.154.5c0479d6RsC7pZ&ws_ab_test=searchweb0_0,searchweb201602_2_10152_10151_10065_10344_10130_10068_10324_10547_10342_10325_10546_10343_10340_10548_10341_10545_10696_10084_10083_10618_10307_10059_100031_524_10103_10624_10623_10622_10621_10620,searchweb201603_31,ppcSwitch_4&algo_expid=4c8e9ce4-e2b1-4938-bf52-6b9a0eb82404-23&algo_pvid=4c8e9ce4-e2b1-4938-bf52-6b9a0eb82404&priceBeautyAB=0
Aliexpress.com	KIngPet Market Store	https://www.aliexpress.com/item/Egg-Shell-Peeler-Egg-Slicer-Cutter-Peeling-Tool-Boiled-Egg-Peeler-Home-Egg-Slicer-Kitchen-Gadgets/32874321909.html?spm=2114.search0104.3.221.5c0479d6RsC7pZ&ws_ab_test=searchweb0_0,searchweb201602_2_10152_10151_10065_10344_10130_10068_10324_10547_10342_10325_10546_10343_10340_10548_10341_10545_10696_10084_10083_10618_10307_10059_100031_524_10103_10624_10623_10622_10621_10620,searchweb201603_31,ppcSwitch_4&algo_expid=4c8e9ce4-e2b1-4938-bf52-6b9a0eb82404-33&algo_pvid=4c8e9ce4-e2b1-4938-bf52-6b9a0eb82404&priceBeautyAB=0

Platform	Name/ID	ASIN/Prod ID/URL
Aliexpress.com	GeHe Store https://gehe.aliexpress.com/store/1543548	https://www.aliexpress.com/item/GOONBQ-1-pc-Egg-Peeler-Plastic-Egg-Shell-Peeler-Egg-Slicer-Cutter-Peeling-Tool-Dropshipping/32868928327.html?spm=2114.search0104.3.228.5c0479d6RsC7pZ&ws_ab_test=searchweb0_0,searchweb201602_2,10152_10151_10065_10344_10130_10068_10324_10547_10342_10325_10546_10343_10340_10548_10341_10545_10696_10084_10083_10618_10307_10059_100031_524_10103_10624_10623_10622_10621_10620,searchweb201603_31.ppcSwitch_4&algo_expid=4c8e9ce4-e2b1-4938-bf52-6b9a0eb82404-34&algo_pvid=4c8e9ce4-e2b1-4938-bf52-6b9a0eb82404&priceBeautyAB=0
Aliexpress.com	Your assistant Store https://www.aliexpress.com/store/3862025	https://www.aliexpress.com/item/2018-New-arrival-Egg-Shell-Peeler-Egg-Slicer-Cutter-Peeling-Tool-egg-Peeler-Kitchen-Tool-Home/32875592879.html?spm=2114.search0104.3.246.5c0479d6RsC7pZ&ws_ab_test=searchweb0_0,searchweb201602_2_10152_10151_10065_10344_10130_10068_10324_10547_10342_10325_10546_10343_10340_10548_10341_10545_10696_10084_10083_10618_10307_10059_100031_524_10103_10624_10623_10622_10621_10620,searchweb201603_31.ppcSwitch_4&algo_expid=4c8e9ce4-e2b1-4938-bf52-6b9a0eb82404-37&algo_pvid=4c8e9ce4-e2b1-4938-bf52-6b9a0eb82404&priceBeautyAB=0
Aliexpress.com	WOWCC Dropshipping Store https://www.aliexpress.com/store/1232637	https://www.aliexpress.com/item/WOWCC-Egg-Shell-Peeler-Egg-Slicer-Cutter-Peeling-Tool-Egg-Peeler-Kitchen-Tool-Home-Egg-Slicer/32854360787.html?spm=2114.search0104.3.292.5c0479d6RsC7pZ&ws_ab_test=searchweb0_0,searchweb201602_2_10152_10151_10065_10344_10130_10068_10324_10547_10342_10325_10546_10343_10340_10548_10341_10545_10696_10084_10083_10618_10307_10059_100031_524_10103_10624_10623_10622_10621_10620,searchweb201603_31.ppcSwitch_4&algo_expid=4c8e9ce4-e2b1-4938-bf52-6b9a0eb82404-44&algo_pvid=4c8e9ce4-e2b1-4938-bf52-6b9a0eb82404&priceBeautyAB=0
Aliexpress.com	AmyHome Store Store https://www.aliexpress.com/store/2662193	https://www.aliexpress.com/item/Plastic-Egg-Shell-Peeler-Egg-Slicer-Cutter-Egg-Shell-Separator-Scissors-Peeling-Tool-Household-Kitchen-Cooking/32876281402.html?spm=2114.search0104.3.298.5c0479d6RsC7pZ&ws_ab_test=searchweb0_0,searchweb201602_2_10152_10151_10065_10344_10130_10068_10324_10547_10342_10325_10546_10343_10340_10548_10341_10545_10696_10084_10083_10618_10307_10059_100031_524_10103_10624_10623_10622_10621_10620,searchweb201603_31.ppcSwitch_4&algo_expid=4c8e9ce4-e2b1-4938-bf52-6b9a0eb82404-45&algo_pvid=4c8e9ce4-e2b1-4938-bf52-6b9a0eb82404&priceBeautyAB=0
Aliexpress.com	Common Truth https://tr.aliexpress.com/store/1380874	https://www.aliexpress.com/item/Household-Egg-Shell-Peeler-Egg-Slicer-Cutter-Egg-Shell-Separator-Scissors-Peeling-Tool-Plastic-Kitchen-Cooking/32858167464.html?spm=2114.search0104.3.31.1df21badu25xV7&ws_ab_test=searchweb0_0,searchweb201602_2_10152_10151_10065_10344_10130_10068_10324_10547_10342_10325_10546_10343_10340_10548_10341_10545_10696_10084_10083_10618_10307_10059_100031_524_10103_10624_10623_10622_10621_10620,searchweb201603_31.ppcSwitch_4&algo_expid=7161ccc6-e42f-42ad-a4e9-3ab3bf77923b-4&algo_pvid=7161ccc6-e42f-42ad-a4e9-3ab3bf77923b&priceBeautyAB=0
Aliexpress.com	VDHJUK Store https://tr.aliexpress.com/store/2970028	https://www.aliexpress.com/item/2018-New-Egg-Shell-Peeler-Kitchen-Egg-Cutter-Tool-Home-Egg-Slicer-Scissors-Dividers/32857183442.html?spm=2114.search0104.3.91.1df21badu25xV7&ws_ab_test=searchweb0_0,searchweb201602_2_10152_10151_10065_10344_10130_10068_10324_10547_10342_10325_10546_10343_10340_10548_10341_10545_10696_10084_10083_10618_10307_10059_100031_524_10103_10624_10623_10622_10621_10620,searchweb201603_31.ppcSwitch_4&algo_expid=7161ccc6-e42f-42ad-a4e9-3ab3bf77923b-13&algo_pvid=7161ccc6-e42f-42ad-a4e9-3ab3bf77923b&priceBeautyAB=0

Platform	Name/ID	ASIN/Prod ID/URL
Aliexpress.com	Umaru's Houseware Store https://tr.aliexpress.com/store/2400091	https://www.aliexpress.com/item/2018-Hot-Sale-Egg-Shell-Peelers-Slicer-Remover-Dividors-Plastic-Egg-Scissor-Cutter-Handle-Egg-Tools/32871152682.html?spm=2114.search0104.3.118.1df21badu25xV7&ws_ab_test=searchweb0_0,searchweb201602_2_10152_10151_10065_10344_10130_10068_10324_10547_10342_10325_10546_10343_10340_10548_10341_10545_10696_10084_10083_10618_10307_10059_100031_524_10103_10624_10623_10622_10621_10620,searchweb201603_31,ppcSwitch_4&algo_expid=7161ccc6-e42f-42ad-a4e9-3ab3bf77923b-17&algo_pvid=7161ccc6-e42f-42ad-a4e9-3ab3bf77923b&priceBeautyAB=0
Aliexpress.com	Shop1033157 Store https://tr.aliexpress.com/store/1033157	https://www.aliexpress.com/item/Plastic-Egg-Shell-Peeler-Egg-Slicer-Cutter-Egg-Shell-Separator-Scissors-Peeling-Tool-Household-Kitchen-Cooking/32868766593.html?spm=2114.search0104.3.125.1df21badu25xV7&ws_ab_test=searchweb0_0,searchweb201602_2_10152_10151_10065_10344_10130_10068_10324_10547_10342_10325_10546_10343_10340_10548_10341_10545_10696_10084_10083_10618_10307_10059_100031_524_10103_10624_10623_10622_10621_10620,searchweb201603_31,ppcSwitch_4&algo_expid=7161ccc6-e42f-42ad-a4e9-3ab3bf77923b-18&algo_pvid=7161ccc6-e42f-42ad-a4e9-3ab3bf77923b&priceBeautyAB=0
Aliexpress.com	Best Home lifestyle https://tr.aliexpress.com/store/2022020	https://www.aliexpress.com/item/Egg-Shell-Peeler-Plastic-Egg-Slicer-Egg-Shell-Separator-Hard-boiled-Scissors-Peeling-Tool-Household-Kitchen/32882673944.html?spm=2114.search0104.3.152.1df21badu25xV7&ws_ab_test=searchweb0_0,searchweb201602_2_10152_10151_10065_10344_10130_10068_10324_10547_10342_10325_10546_10343_10340_10548_10341_10545_10696_10084_10083_10618_10307_10059_100031_524_10103_10624_10623_10622_10621_10620,searchweb201603_31,ppcSwitch_4&algo_expid=7161ccc6-e42f-42ad-a4e9-3ab3bf77923b-22&algo_pvid=7161ccc6-e42f-42ad-a4e9-3ab3bf77923b&priceBeautyAB=0
Aliexpress.com	Loving Warm Home https://tr.aliexpress.com/store/237015	https://www.aliexpress.com/item/Eggs-Shell-Peelers-Slicer-Remover-Dividors-Plastic-Eggs-Scissor-Cutter-Handle-Eggs-Tools-Kitchen-Accessories-Cooking/32884904338.html?spm=2114.search0104.3.239.1df21badu25xV7&ws_ab_test=searchweb0_0,searchweb201602_2_10152_10151_10065_10344_10130_10068_10324_10547_10342_10325_10546_10343_10340_10548_10341_10545_10696_10084_10083_10618_10307_10059_100031_524_10103_10624_10623_10622_10621_10620,searchweb201603_31,ppcSwitch_4&algo_expid=7161ccc6-e42f-42ad-a4e9-3ab3bf77923b-35&algo_pvid=7161ccc6-e42f-42ad-a4e9-3ab3bf77923b&priceBeautyAB=0
Aliexpress.com	TOPATY Store https://tr.aliexpress.com/store/3174028	https://www.aliexpress.com/item/Plastic-Egg-Shell-Peeler-Egg-Slicer-Cutter-Egg-Shell-Separator-Scissors-Peeling-Tool-Household-Kitchen-Cooking/32876356216.html?spm=2114.search0104.3.276.1df21badu25xV7&ws_ab_test=searchweb0_0,searchweb201602_2_10152_10151_10065_10344_10130_10068_10324_10547_10342_10325_10546_10343_10340_10548_10341_10545_10696_10084_10083_10618_10307_10059_100031_524_10103_10624_10623_10622_10621_10620,searchweb201603_31,ppcSwitch_4&algo_expid=7161ccc6-e42f-42ad-a4e9-3ab3bf77923b-41&algo_pvid=7161ccc6-e42f-42ad-a4e9-3ab3bf77923b&priceBeautyAB=0
Aliexpress.com	Sunshine-store https://tr.aliexpress.com/store/407893	https://www.aliexpress.com/item/2018-New-Arrival-Egg-Shell-Peeler-Egg-Slicer-Cutter-Peeling-Egg-Separator-Tool-Kitchen-Accessories-Home/32864649696.html?spm=2114.search0104.3.308.1df21badu25xV7&ws_ab_test=searchweb0_0,searchweb201602_2_10152_10151_10065_10344_10130_10068_10324_10547_10342_10325_10546_10343_10340_10548_10341_10545_10696_10084_10083_10618_10307_10059_100031_524_10103_10624_10623_10622_10621_10620,searchweb201603_31,ppcSwitch_4&algo_expid=7161ccc6-e42f-42ad-a4e9-3ab3bf77923b-46&algo_pvid=7161ccc6-e42f-42ad-a4e9-3ab3bf77923b&priceBeautyAB=0

Platform	Name/ID	ASIN/Prod ID/URL
Aliexpress.com	Leading lifestyle store https://tr.aliexpress.com/store/1359042	https://www.aliexpress.com/item/Egg-Shell-Peeler-Egg-Slicer-Cutter-Peeling-Tool-Boiled-Egg-Peeler-Home-Egg-Slicer-Kitchen-Gadgets/32873147815.html?spm=2114.search0104.3.14.1df21badu25xV7&ws_ab_test=searchweb0_0,searchweb201602_2_10152_10151_10065_10344_10130_10068_10324_10547_10342_10325_10546_10343_10340_10548_10341_10545_10696_10084_10083_10618_10307_10059_100031_524_10103_10624_10623_10622_10621_10620,searchweb201603_31,ppcSwitch_4&algo_expid=7161ccc6-e42f-42ad-a4e9-3ab3bf77923b-47&algo_pvid=7161ccc6-e42f-42ad-a4e9-3ab3bf77923b&priceBeautyAB=0
Aliexpress.com	Sweet dream family center98 https://tr.aliexpress.com/store/1752437	https://www.aliexpress.com/item/SDFC-Egg-Shell-Peeler-Egg-Slicer-Cutter-Peeling-Tool-egg-Peeler-Kitchen-Tool-Home-Egg-Slicer/32883000579.html?spm=2114.search0104.3.26.2b7a238aY94yuz&ws_ab_test=searchweb0_0,searchweb201602_2_10152_10151_10065_10344_10130_10068_10324_10547_10342_10325_10546_10343_10340_10548_10341_10545_10696_10084_10083_10618_10307_10059_100031_524_10103_10624_10623_10622_10621_10620,searchweb201603_31,ppcSwitch_4&algo_expid=b3722c7c-fe44-44f8-b555-01bb517d3bbe-4&algo_pvid=b3722c7c-fe44-44f8-b555-01bb517d3bbe&priceBeautyAB=0
Aliexpress.com	Poodle XiaoCoCos Shop Store https://he.aliexpress.com/store/3508046	https://www.aliexpress.com/item/Egg-Shell-Peeler-Egg-Slicer-Cutter-Peeling-Tool-egg-Peeler-Kitchen-Tool-Home-Egg-Slicer-Stainless/32869262671.html?spm=2114.search0104.3.50.2b7a238aY94yuz&ws_ab_test=searchweb0_0,searchweb201602_2_10152_10151_10065_10344_10130_10068_10324_10547_10342_10325_10546_10343_10340_10548_10341_10545_10696_10084_10083_10618_10307_10059_100031_524_10103_10624_10623_10622_10621_10620,searchweb201603_31,ppcSwitch_4&algo_expid=b3722c7c-fe44-44f8-b555-01bb517d3bbe-8&algo_pvid=b3722c7c-fe44-44f8-b555-01bb517d3bbe&priceBeautyAB=0
Aliexpress.com	do for you Store	https://www.aliexpress.com/item/Egg-Shell-Peeler-Egg-Slicer-Cutter-Peeling-Tool-egg-Peeler-Kitchen-Tool-Home-Egg-Slicer/32862951866.html?spm=2114.search0104.3.57.2b7a238aY94yuz&ws_ab_test=searchweb0_0,searchweb201602_2_10152_10151_10065_10344_10130_10068_10324_10547_10342_10325_10546_10343_10340_10548_10341_10545_10696_10084_10083_10618_10307_10059_100031_524_10103_10624_10623_10622_10621_10620,searchweb201603_31,ppcSwitch_4&algo_expid=b3722c7c-fe44-44f8-b555-01bb517d3bbe-9&algo_pvid=b3722c7c-fe44-44f8-b555-01bb517d3bbe&priceBeautyAB=0
Aliexpress.com	Innovation Drinkware Store https://www.aliexpress.com/store/3106052	https://www.aliexpress.com/item/Egg-Shell-Peeler-Egg-Slicer-Cutter-Peeling-Tool-Boiled-Egg-Peeler-Home-Egg-Slicer-Kitchen-Gadgets/32869840511.html?spm=2114.search0104.3.81.2b7a238aY94yuz&ws_ab_test=searchweb0_0,searchweb201602_2_10152_10151_10065_10344_10130_10068_10324_10547_10342_10325_10546_10343_10340_10548_10341_10545_10696_10084_10083_10618_10307_10059_100031_524_10103_10624_10623_10622_10621_10620,searchweb201603_31,ppcSwitch_4&algo_expid=b3722c7c-fe44-44f8-b555-01bb517d3bbe-13&algo_pvid=b3722c7c-fe44-44f8-b555-01bb517d3bbe&priceBeautyAB=0
Aliexpress.com	CHINA REASARD Store https://www.aliexpress.com/store/1440008	https://www.aliexpress.com/item/2018-New-arrival-Egg-Shell-Peeler-Egg-Slicer-Cutter-Peeling-Tool-egg-Peeler-Kitchen-Tool-Home/32856970557.html?spm=2114.search0104.3.95.2b7a238aY94yuz&ws_ab_test=searchweb0_0,searchweb201602_2_10152_10151_10065_10344_10130_10068_10324_10547_10342_10325_10546_10343_10340_10548_10341_10545_10696_10084_10083_10618_10307_10059_100031_524_10103_10624_10623_10622_10621_10620,searchweb201603_31,ppcSwitch_4&algo_expid=b3722c7c-fe44-44f8-b555-01bb517d3bbe-15&algo_pvid=b3722c7c-fe44-44f8-b555-01bb517d3bbe&priceBeautyAB=0

Platform	Name/ID	ASIN/Prod ID/URL
Aliexpress.com	Enjoys Life Store https://www.aliexpress.com/store/2947149	https://www.aliexpress.com/item/Egg-Shell-Peeler-Egg-Slicer-Cutter-Peeling-Tool-Boiled-Egg-Peeler-Home-Egg-Slicer-Kitchen-Gadgets/32888789296.html?spm=2114.search0104.3.101.2b7a238aY94yuz&ws_ab_test=searchweb0_0,searchweb201602_2_10152_10151_10065_10344_10130_10068_10324_10547_10342_10325_10546_10343_10340_10548_10341_10545_10696_10084_10083_10618_10307_10059_100031_524_10103_10624_10623_10622_10621_10620,searchweb201603_31,ppsSwitch_4&algo_expid=b3722c7c-fe44-44f8-b555-01bb517d3bbe-16&algo_pvid=b3722c7c-fe44-44f8-b555-01bb517d3bbe&priceBeautifyAB=0
Aliexpress.com	Noachic café Store https://he.aliexpress.com/store/3178001	https://www.aliexpress.com/item/NOCM+Egg-Shell-Peeler-Egg-Slicer-Cutter-Peeling-Tool-egg-Peeler-Kitchen-Tool-Home-Egg-Slicer/32862761602.html?spm=2114.search0104.3.186.2b7a238aY94yuz&ws_ab_test=searchweb0_0,searchweb201602_2_10152_10151_10065_10344_10130_10068_10324_10547_10342_10325_10546_10343_10340_10548_10341_10545_10696_10084_10083_10618_10307_10059_100031_524_10103_10624_10623_10622_10621_10620,searchweb201603_31,ppsSwitch_4&algo_expid=b3722c7c-fe44-44f8-b555-01bb517d3bbe-29&algo_pvid=b3722c7c-fe44-44f8-b555-01bb517d3bbe&priceBeautifyAB=0
Aliexpress.com	Aladingding Store https://www.aliexpress.com/store/3630083	https://www.aliexpress.com/item/Plastic-Egg-Shell-Peeler-Egg-Slicer-Cutter-Egg-Shell-Separator-Scissors-Peeling-Tool-Household-Kitchen-Cooking/32868123627.html?spm=2114.search0104.3.240.2b7a238aY94yuz&ws_ab_test=searchweb0_0,searchweb201602_2_10152_10151_10065_10344_10130_10068_10324_10547_10342_10325_10546_10343_10340_10548_10341_10545_10696_10084_10083_10618_10307_10059_100031_524_10103_10624_10623_10622_10621_10620,searchweb201603_31,ppsSwitch_4&algo_expid=b3722c7c-fe44-44f8-b555-01bb517d3bbe-37&algo_pvid=b3722c7c-fe44-44f8-b555-01bb517d3bbe&priceBeautifyAB=0
Aliexpress.com	Institute of Food https://www.aliexpress.com/store/1866025	https://www.aliexpress.com/item/Plastic-Manual-Eggs-Sheller-Eggs-Shell-Peeler-Eggs-Slicer-Cutter-Peeling-Tools-Eggs-Separator-Kitchen-Accessories/32885962368.html?spm=2114.search0104.3.253.2b7a238aY94yuz&ws_ab_test=searchweb0_0,searchweb201602_2_10152_10151_10065_10344_10130_10068_10324_10547_10342_10325_10546_10343_10340_10548_10341_10545_10696_10084_10083_10618_10307_10059_100031_524_10103_10624_10623_10622_10621_10620,searchweb201603_31,ppsSwitch_4&algo_expid=b3722c7c-fe44-44f8-b555-01bb517d3bbe-39&algo_pvid=b3722c7c-fe44-44f8-b555-01bb517d3bbe&priceBeautifyAB=0
Aliexpress.com	SKU Co., Ltd. Store https://www.aliexpress.com/store/2344160	https://www.aliexpress.com/item/Manual-Eggs-Sheller-Plastic-Eggs-Shell-Peeler-Eggs-Slicer-Cutter-Peeling-Tools-Eggs-Separator-Cooking-Tools/32885930768.html?spm=2114.search0104.3.266.2b7a238aY94yuz&ws_ab_test=searchweb0_0,searchweb201602_2_10152_10151_10065_10344_10130_10068_10324_10547_10342_10325_10546_10343_10340_10548_10341_10545_10696_10084_10083_10618_10307_10059_100031_524_10103_10624_10623_10622_10621_10620,searchweb201603_31,ppsSwitch_4&algo_expid=b3722c7c-fe44-44f8-b555-01bb517d3bbe-41&algo_pvid=b3722c7c-fe44-44f8-b555-01bb517d3bbe&priceBeautifyAB=0
Aliexpress.com	sweethome-sale https://www.aliexpress.com/store/1656297	https://www.aliexpress.com/item/Kitchen-Manual-Eggs-Sheller-Eggs-Shell-Peeler-Eggs-Slicer-Cutter-Peeling-Tools-Eggs-Separator-Accessories-Cooking/32886122704.html?spm=2114.search0104.3.286.2b7a238aY94yuz&ws_ab_test=searchweb0_0,searchweb201602_2_10152_10151_10065_10344_10130_10068_10324_10547_10342_10325_10546_10343_10340_10548_10341_10545_10696_10084_10083_10618_10307_10059_100031_524_10103_10624_10623_10622_10621_10620,searchweb201603_31,ppsSwitch_4&algo_expid=b3722c7c-fe44-44f8-b555-01bb517d3bbe-44&algo_pvid=b3722c7c-fe44-44f8-b555-01bb517d3bbe&priceBeautifyAB=0

Platform	Name/ID	ASIN/Prod ID/URL
Aliexpress.com	Fashion Store A8 https://www.aliexpress.com/store/1907984	https://www.aliexpress.com/item/Instantly-Hard-Boiled-Egg-Shell-Peeler-Red-Black-Yellow-White/3287529597.html?spm=2114.search0104.3.294.2b7a238aY94yuz&ws_ab_test=searchweb0_0,searchweb201602_2_10152_10151_10065_10344_10130_10068_10324_10547_10342_10325_10546_10343_10340_10548_10341_10545_10696_10084_10083_10618_10307_10059_100031_524_10103_10624_10623_10622_10621_10620,searchweb201603_31,ppcSwitch_4&algo_expid=b3722c7c-fe44-44f8-b555-01bb517d3bbe-45&algo_pvid=b3722c7c-fe44-44f8-b555-01bb517d3bbe&priceBeautyAB=0
Aliexpress.com	Worldwide Dropshipping Store https://www.aliexpress.com/store/3204074	https://www.aliexpress.com/item/Egg-Shell-Peeler-Kitchen-Cooking-Tool-Plastic-Egg-Slicer-Cutter-Egg-Shell-Separator-Scissors-Peeling-Tool/32868346443.html?spm=2114.search0104.3.22.54507774mhlisS&ws_ab_test=searchweb0_0,searchweb201602_2_10152_10151_10065_10344_10130_10068_10324_10547_10342_10325_10546_10343_10340_10548_10341_10545_10696_10084_10083_10618_10307_10059_100031_524_10103_10624_10623_10622_10621_10620,searchweb201603_31,ppcSwitch_4&algo_expid=b3169337-bf0c-4d16-a943-9411c6095b11-3&algo_pvid=b3169337-bf0c-4d16-a943-9411c6095b11&priceBeautyAB=0
Aliexpress.com	Dolly's Arting Life https://www.aliexpress.com/store/2348069	https://www.aliexpress.com/item/Hard-Boiled-Egg-Shell-Peeler-Detachable-High-Quality-Egg-Shell-Peeler/32885187978.html?spm=2114.search0104.3.40.54507774mhlisS&ws_ab_test=searchweb0_0,searchweb201602_2_10152_10151_10065_10344_10130_10068_10324_10547_10342_10325_10546_10343_10340_10548_10341_10545_10696_10084_10083_10618_10307_10059_100031_524_10103_10624_10623_10622_10621_10620,searchweb201603_31,ppcSwitch_4&algo_expid=b3169337-bf0c-4d16-a943-9411c6095b11-6&algo_pvid=b3169337-bf0c-4d16-a943-9411c6095b11&priceBeautyAB=0
Aliexpress.com	goodfeer-Store https://www.aliexpress.com/store/3359003	https://www.aliexpress.com/item/IPC-Manually-Egg-Sheller-Portable-Hard-Boiled-Egg-Shell-Separator-TV-Remove-Peeler-Magic-Amazing-Eggshell/32888161812.html?spm=2114.search0104.3.132.54507774mhlisS&ws_ab_test=searchweb0_0,searchweb201602_2_10152_10151_10065_10344_10130_10068_10324_10547_10342_10325_10546_10343_10340_10548_10341_10545_10696_10084_10083_10618_10307_10059_100031_524_10103_10624_10623_10622_10621_10620,searchweb201603_31,ppcSwitch_4&algo_expid=b3169337-bf0c-4d16-a943-9411c6095b11-20&algo_pvid=b3169337-bf0c-4d16-a943-9411c6095b11&priceBeautyAB=0
Aliexpress.com	Go-Homing Store https://www.aliexpress.com/store/2665213	https://www.aliexpress.com/item/Cooked-Egg-Peeler-Hard-Hard-Boiled-Egg-Shell-Peeler-Peeling-Kitchen-Tool-3-16/32856829561.html?spm=2114.search0104.3.100.50b5a1beUxdmcN&ws_ab_test=searchweb0_0,searchweb201602_2_10152_10151_10065_10344_10130_10068_10324_10547_10342_10325_10546_10343_10340_10548_10341_10545_10696_10084_10083_10618_10307_10059_100031_524_10103_10624_10623_10622_10621_10620,searchweb201603_31,ppcSwitch_4&algo_expid=d3880a27-e18b-4e63-96c2-2087413e8a3c-16&algo_pvid=d3880a27-e18b-4e63-96c2-2087413e8a3c&priceBeautyAB=0
Aliexpress.com	YY Lucky Store https://www.aliexpress.com/store/3883028	https://www.aliexpress.com/item/Cooked-Egg-Sheller-Peeling-Eggshell-to-Cooked-Chicken-Eggshell-Tools/32862174731.html?spm=2114.search0104.3.195.50b5a1beUxdmcN&ws_ab_test=searchweb0_0,searchweb201602_2_10152_10151_10065_10344_10130_10068_10324_10547_10342_10325_10546_10343_10340_10548_10341_10545_10696_10084_10083_10618_10307_10059_100031_524_10103_10624_10623_10622_10621_10620,searchweb201603_31,ppcSwitch_4&algo_expid=d3880a27-e18b-4e63-96c2-2087413e8a3c-31&algo_pvid=d3880a27-e18b-4e63-96c2-2087413e8a3c&priceBeautyAB=0

SCHEDULE "A"

Platform	Name/ID	ASIN/Prod ID/URL
Aliexpress.com	Unique Life Store	https://www.aliexpress.com/item/Egg-Peeler-Cuttler-Peeling-Tool-Kitchen-Tool-Egg-Shell-Separator/32880865071.html?spm=2114.search0104.3.56.5218d17bawzvvw&ws_ab_test=searchweb0_0.searchweb2016022_10152_10151_10065_10344_10130_10068_10324_10547_10342_10325_10546_10343_10340_10548_10341_10545_10696_10084_10083_10618_10307_10059_100031_524_10103_10624_10623_10622_10621_10620.searchweb201603_31_ppcSwitch_4&algo_expid=0388e137-1ee1-4fa7-98e6-060c5d67f001-9&algo_pvid=0388e137-1ee1-4fa7-98e6-060c5d67f001&priceBeautifyAB=0
Amazon.com	Sunfe https://www.amazon.com/gp/help/seller/at-a-glance.html/ref=dp_merchant_link?ie=UTF8&seller=ATFVBU00XG2	B01NATZUY2, B01N235WK4
Amazon.com	Some Interesting Store https://www.amazon.com/gp/help/seller/at-a-glance.html/ref=dp_merchant_link?ie=UTF8&seller=ATFVBU00XG2	B07BFT9WBZ
Amazon.com	Ziftei https://www.amazon.com/gp/help/seller/at-a-glance.html/ref=dp_merchant_link?ie=UTF8&seller=300Y12PDYH5KA&isAmazonFulfilled=1	B07CKPV969
Amazon.com	Wishesport https://www.amazon.com/gp/help/seller/at-a-glance.html/ref=dp_merchant_link?ie=UTF8&seller=11EB5Q82D25KP&isAmazonFulfilled=1	B07DBY9WHZ
Amazon.com	SMYTShop https://www.amazon.com/SMYTShop/b/ref=bl_dp_s_w_eb_17227385011?ie=UTF8&node=17227385011&field_lbr_brands_browse-bin=SMYTShop	B07BHQKQTD
Amazon.com	Dressfie https://www.amazon.com/gp/help/seller/at-a-glance.html/ref=dp_merchant_link?ie=UTF8&seller=12W848K6HRNK7	B01N7SXX0W
Amazon.com	Leegoal https://www.amazon.com/gp/help/seller/at-a-glance.html/ref=dp_merchant_link?ie=UTF8&seller=3KEHASOXZP4DC	B07CSX8N7R, B07CSYFN8R
Amazon.com	LIN YANGUO/Forememory https://www.amazon.com/gp/help/seller/at-a-glance.html/ref=dp_merchant_link?ie=UTF8&seller=24E400AXST04Q&isAmazonFulfilled=1	B07CV9Y5S8
Amazon.com	Baoblaze https://www.amazon.com/gp/help/seller/at-a-glance.html/ref=dp_merchant_link?ie=UTF8&seller=3C8YKGW3F5UNV	B07D394V6F

SCHEDULE "A"

Platform	Name/ID	ASIN/Prod ID/URL
Amazon.com	Dolity Home https://www.amazon.com/gp/help/seller/at-a-glance.html/ref=dp_merchant_link?ie=UTF8&seller=A1Z84CWL7LX7P	B07D36YT2W
Amazon.com	Jijivisha	B07C44S6BZ
Amazon.com	Aukuk https://www.amazon.com/sp?seller=A3Q19WE74KPX3X https://www.amazon.com/shops/A3Q19WE74KPX3X?ref=_v_sp_storefront	B07C2S3V7B
Amazon.com	Anroll Zhaokai Wang/Brandon Trollpoe https://www.amazon.com/gp/help/seller/at-a-glance.html/ref=dp_merchant_link?ie=UTF8&seller=A2UF2EWWULRAZI&isAmazonFulfilled=1	B07B2H3YQD, B07B2H6YB7
Amazon.com	Zuoyao Chen/HoLeis https://www.amazon.com/gp/help/seller/at-a-glance.html/ref=dp_merchant_link?ie=UTF8&seller=A22HBOFS74E6FF&isAmazonFulfilled=1	B07BD5576N, B07BD554PR
Amazon.com	Muicatte	B07DDHX14W, B07CBNK5VB B07CBNK5VB B07DDHX14W B07CBNK5V
Amazon.com	TiLarry https://www.amazon.com/gp/help/seller/at-a-glance.html/ref=dp_merchant_link?ie=UTF8&seller=A2W9F9DWU65XVL&isAmazonFulfilled=1	B07D7V5YVZ
Amazon.com	VANTEAM, Nguyen Van, Nam/VanDeller https://www.amazon.com/s?marketplaceID=ATVPDKIKX0DER&me=A5IOYSB6VPZEH&merchant=A5IOYSB6VPZEH&redirect=true	B07C7VQ57W
Amazon.com	luo xiaohua/Lace Kenzola https://www.amazon.com/gp/help/seller/at-a-glance.html/ref=dp_merchant_link?ie=UTF8&seller=A1ZC8KGBN1FJT4&isAmazonFulfilled=1	Any of the following ASIN numbers: ASIN: B07CGN969R, B07CVBBB6G1, B07B2H6YB7, B07BYWX91M, B07DFZHL5T, B07CBNK5VB, B07CM1GF1W, B07BD5576N, B07D1251GY, B07D6MK5V2, B07CWFQXX8, B07D5V33BW, B07CV9R266, B07CH5N88D, B07D5WDCBX, B07DIQ4VRD, B07C7VQ57W, B07DFZ4N14
Amazon.com	Frank Yang/Retzing https://www.amazon.com/sp?seller=A3OKKON3LJ258	Any of the following ASIN numbers: ASIN: B07CGN969R, B07CVBBB6G1, B07B2H6YB7, B07BYWX91M, B07DFZHL5T, B07CBNK5VB, B07CM1GF1W, B07BD5576N, B07D1251GY, B07D6MK5V2, B07CWFQXX8, B07D5V33BW, B07CV9R266, B07CH5N88D, B07D5WDCBX, B07DIQ4VRD, B07C7VQ57W, B07DFZ4N14
Amazon.com	icosmo0/HOMEFUL https://www.amazon.com/Homeful/b/ref=w_bl_hsx_sku_i_web_15180153011?ie=UTF8&node=15180153011&field-lbr_brands_browse-bin=Homeful	Any of the following ASIN numbers: ASIN: B07CGN969R, B07CVBBB6G1, B07B2H6YB7, B07BYWX91M, B07DFZHL5T, B07CBNK5VB, B07CM1GF1W, B07BD5576N, B07D1251GY, B07D6MK5V2, B07CWFQXX8, B07D5V33BW, B07CV9R266, B07CH5N88D, B07D5WDCBX, B07DIQ4VRD, B07C7VQ57W, B07DFZ4N14

SCHEDULE "A"

Platform	Name/ID	ASIN/Prod ID/URL
Amazon.com	Rinat/UniGalaxy Rinatshaydulling0205@gmail.com	Any of the following ASIN numbers: ASIN: B07CGN969R, B07CVBB6G1, B07B2H6YB7, B07BYWX91M, B07DFZHL5T, B07CBNK5VB, B07CM1GFW1, B07B2H3YQD, B07BD5576N, B07D1251GY, B07D6MK5V2, B07CWFQXX8, B07D5W33BW, B07CV9R266, B07D5VXMQM, B07CH5N88D, B07D5WDCBX, B07D1Q4VRD, B07C7VQ57W, B07DFZ4NJ4
Amazon.com	Bui Thi Lan/Labu Store https://www.amazon.com/gp/aag/main/ref=olp_merch_name_1?ie=UTF8&asin=B07F8GZ981&isAmazonFulfilled=0&seller=A1EFTOGAHWG4ZSxedream93@gmail.com	Any of the following ASIN numbers: ASIN: B07CGN969R, B07CVBB6G1, B07B2H6YB7, B07BYWX91M, B07DFZHL5T, B07CBNK5VB, B07CM1GFW1, B07B2H3YQD, B07BD5576N, B07D1251GY, B07D6MK5V2, B07CWFQXX8, B07D5W33BW, B07CV9R266, B07D5VXMQM, B07CH5N88D, B07D5WDCBX, B07D1Q4VRD, B07C7VQ57W, B07DFZ4NJ4
Amazon.com	PHUNG THI XUAN/phungthixuan hin1102123@gmail.com https://www.amazon.com/sp?seller=A1GN9AVNYZTQ5X5X https://www.amazon.com/shops/A1GN9AVNYZTQ5X?ref=v_sp_storefront	Any of the following ASIN numbers: ASIN: B07CGN969R, B07CVBB6G1, B07B2H6YB7, B07BYWX91M, B07DFZHL5T, B07CBNK5VB, B07CM1GFW1, B07B2H3YQD, B07BD5576N, B07D1251GY, B07D6MK5V2, B07CWFQXX8, B07D5W33BW, B07CV9R266, B07D5VXMQM, B07CH5N88D, B07D5WDCBX, B07D1Q4VRD, B07C7VQ57W, B07DFZ4NJ4
Amazon.com	Songzhendong/MYUOOT DIRECT -- hdjdbxnjs@163.com	Any of the following ASIN numbers: ASIN: B07CGN969R, B07CVBB6G1, B07B2H6YB7, B07BYWX91M, B07DFZHL5T, B07CBNK5VB, B07CM1GFW1, B07B2H3YQD, B07BD5576N, B07D1251GY, B07D6MK5V2, B07CWFQXX8, B07D5W33BW, B07CV9R266, B07D5VXMQM, B07CH5N88D, B07D5WDCBX, B07D1Q4VRD, B07C7VQ57W, B07DFZ4NJ4
Amazon.com	Piotr Ordon/ordon.piotr ordon.piotr@gmail.com	Any of the following ASIN numbers: ASIN: B07CGN969R, B07CVBB6G1, B07B2H6YB7, B07BYWX91M, B07DFZHL5T, B07CBNK5VB, B07CM1GFW1, B07B2H3YQD, B07BD5576N, B07D1251GY, B07D6MK5V2, B07CWFQXX8, B07D5W33BW, B07CV9R266, B07D5VXMQM, B07CH5N88D, B07D5WDCBX, B07D1Q4VRD, B07C7VQ57W, B07DFZ4NJ4
Amazon.com	suzykitchen https://www.amazon.com/gp/aag/main/ref=olp_merch_name_2?ie=UTF8&asin=B07D5V7C7G&isAmazonFulfilled=0&seller=A2XD2B9YU88GB1	B07DMGRS99 https://www.amazon.com/Arrival-Plastic-Creative-Peeling-Kitchen/dp/B07DMGRS99/ref=sr_1_6?ie=UTF8&qid=1530196744&sr=8-6&keywords=SUZYKITCHEN
bonanza.com		https://www.bonanza.com/listings/The-Negg-Boiled-Egg-Peeler-Red/565452032?st_id=71515108
bonanza.com		https://www.bonanza.com/listings/Egg-Slicer-Cutter-Peeling-Tool-egg-Peeler-Kitchen-Tool-Home-Egg-Slicer/56590791?st_id=71515108
bonanza.com		https://www.bonanza.com/listings/Egg-Shell-Peeler-Egg-Slicer-Cutter-Peeling-Tool-egg-Peeler-Kitchen-Tool-Home-CN/5665736447?st_id=71515108
bonanza.com		https://www.bonanza.com/listings/The-Negg-Fuchsia-By-Airigan-Solutions-Egg-Peeler-Hard-Boiled-NIB/586932108?st_id=71515108
bonanza.com		https://www.bonanza.com/listings/The-Negg-Hard-boiled-Egg-Peeler-Solutions-Egg-Peeler-Hard-Boiled-NIB/602145332?st_id=71515108
dhgate.com	Brad2016, https://www.dhgate.com/store/20127433#st-navigation-storehome	https://www.dhgate.com/product/plastic-egg-shell-peeler-egg-slicer-cutter/412601483.html#s1-23-1b;search 36952866119

SCHEDULE "A"

Platform	Name/ID	ASIN/Prod ID/URL
ebay.com	greatseller	113077459319, 113079032121, https://www.ebay.com/itm/Hard-boiled-Egg-Peeler-Hard-boiled-Egg-Peeler-Hard-boiled-Egg-Peeler-the-negg-Hard-boiled-Egg-Peeler/113077459319?hash=item1a53f11977%3Am%3Am-1a7YhOa1W14jAjbsp8ZA&var=413418697868, https://www.ebay.com/itm/Hard-boiled-Egg-Peeler-Hard-boiled-the-negg-Egg-Peeler-Hard-boiled-Egg-Peeler/113079032121?hash=item1a54091939%3Am%3Amgg_Gy-w9k3DvYqp4dnEWTQ&var=413419511419
ebay.com	bigfashionmarket	263724109727 https://www.ebay.com/sch/i.html?nkw=&in_kw=1&ex_kw=&udlo=&udhi=&frrt=901&frrv=1&sabdllo=&sabdhhi=&samilow=&samihi=&sadis=15&stpos=06890-1466&sargn=1%26sasl%3D1&salic=1&fss=1&fsradio=%26LH_SpecificSeller%3D1&saslop=1&sas=bigfashionmarket&sop=12&dmd=1&jpg=200
ebay.com	zouelbr_0	123191929460 https://www.ebay.com/itm/The-Negg-Hard-boiled-Egg-Peeler-Solutions-Egg-Peeler-Hard-Boiled-NIB/123191929460?hash=item1caecfaa74:g:edMAAOSwlgNbHS4W
ebay.com	2017junnei	273304414722 https://www.ebay.com/itm/The-Negg-Hard-boiled-Egg-Peeler-Solutions-Egg-Peeler-Hard-Boiled-NIB/273304414722?hash=item3fa2366a02:m:mBCb1tRELEz4ahJKSa8IbKw
ebay.com	melyodas0	253692916710 https://www.ebay.com/itm/The-Negg-Hard-boiled-Egg-Peeler-Solutions-Egg-Peeler-Hard-Boiled-NIB/253692916710?hash=item3b1146b3e6:m:mibROA6mEWdndLMUdvy8fKA
ebay.com	best_4youu	253692944819 https://www.ebay.com/itm/The-Negg-Hard-boiled-Egg-Peeler-Solutions-Egg-Peeler-Hard-Boiled-NIB/253692944819?hash=item3b114721b3:m:ml6lKhhHimmyM6914ZzBpQ
ebay.com	balackstore23	223020636265 https://www.ebay.com/itm/The-Negg-Hard-boiled-Egg-Peeler-Solutions-Egg-Peeler-Hard-Boiled-NIB/223020636265?hash=item33ed10d869:g:MCoAAOSwpk9aluez
ebay.com	trustworthy404	123195686381 https://www.ebay.com/itm/GIVEAWAY-PRICE-The-Negg-Hard-boiled-Egg-Peeler-solution-New-Easy-Fast-Fun/123195686381?hash=item1caf08fded:g:lboAAOSw0j9b1cEp

SCHEDULE "A"

Platform	Name/ID	ASIN/Prod ID/URL
ebay.com	2015ilbruc	253349759131 https://www.ebay.com/itm/THE-NEGG-BOILED-EGG-PEELER-RED/253349759131?hash=item3afcd2889b:g:MPYAAOSwSxaUENI
ebay.com	pacificfantastic	192569771545 https://www.ebay.com/itm/THE-NEGG-BOILED-EGG-PEELER-YELLOW/192569771545?epid=11003629534&hash=item2cd60d8619:g:whYAAOSwoj9bJcDD
ebay.com	silvishop15	192471319693 https://www.ebay.com/itm/THE-NEGG-BOILED-EGG-PEELER-RED-home-kitchen-tool/192471319693?hash=item2cd02f448d:g:olkAAOSwid1amO5F
ebay.com	xexdianzi	323311377257 https://www.ebay.com/itm/Egg-Peeler-Solutions-Egg-Peeler-Hard-Boiled-NIBThe-Negg-Hard-Boiled-Multicolor/323311377257?hash=item4b46dc1b69%3Am%3AmWc7S9pHG3rThbThoB3_-9A&var=512375394100
ebay.com	shopwithme_3	273316677007 https://www.ebay.com/itm/The-Negg-Hard-boiled-Egg-Peeler-Solutions-Egg-Peeler-Hard-Boiled-NIB/273316677007?hash=item3fa2f1858f%3Am%3Am52daOfwL1fMkQDriYSUBMw&var=572671101492
ebay.com	blackstore23	223029391531 https://www.ebay.com/itm/The-Negg-Hard-boiled-Egg-Peeler-Solutions-Egg-Peeler-Hard-Boiled-NIB/223029391531?hash=item3ced9670ab:g:MCoAAOSwpk9atuez
ebay.com	nalimat	232804767876 https://www.ebay.com/itm/Egg-Shell-Peeler-Egg-Slicer-Cutter-Peeling-Tool-egg-Peeler-Kitchen-Tool-Home/232804767876?hash=item36343ed884%3Am%3Am-PmmMHsUX4BN1b4Kft3STw&var=532316480397
ebay.com	kitsimplesale	263774467518 https://www.ebay.com/itm/New-Egg-Shell-Peeler-Egg-Slicer-RED-Peeling-Tool-egg-Peeler-Kitchen-Tool-Egg/263774467518?hash=item3d6a2ef5be:g:UqsAAOSwbVNbLcfb

SCHEDULE "A"

Platform	Name/ID	ASIN/Prod ID/URL
ebay.com	hanoune_9816	192551929794 https://www.ebay.com/itm/New-Egg-Shell-Peeler-Egg-Slicer-Cuttier-Peeling-Tool-egg-Peeler-Kitchen-Tool-Egg/192551929794?hash=item2cd4fd47c2%3Am%3Amf1-bMULEBaCkm_mWvqf0aQ&var=492659491918
ebay.com	staritems2018id	202334517196 https://www.ebay.com/itm/Peeler-Egg-Tool-egg-Peeler-Kitchen-quickly-peel-of-the-shell/202334517196?hash=item2f1c13b7ce%3Am%3AmwwezyC54vrYaloXL4TZTQ&var=502311800973
ebay.com	amal-gadgets-shop	113022421287 113022421287 https://www.ebay.com/itm/Egg-Shell-Peeler-Egg-Slicer-Cutter-Peeling-Tool-egg-Peeler-Kitchen-Tool-Home/113022421287?hash=item1a50a94927%3Am%3Am-PnmMHsUX4BN1b4Kft3STw&var=413385934492
walmart.com	TV Time Direct, https://tvtimedirect.com/sales@tvtimedirect.com	https://www.walmart.com/ip/The-Negg-Egg-Peeler-Yellow/933753409 , https://www.walmart.com/ip/The-Negg-Egg-Peeler-White/685276476
wish.com	XIAXIAOXUE	https://www.wish.com/c/5b02654ca9d9fd6e3e330543
wish.com	uptownfair	https://www.wish.com/c/5acc740699cd1440c1af6379
wish.com	HENGCHU https://www.wish.com/merchant/555dc3638eb01b1296deca8e	https://www.wish.com/c/5aa397e62ef55117a1135ffd
wish.com	fengdingluohua https://www.wish.com/merchant/58ccad88fa2f4571564c0098	https://www.wish.com/c/5ae1a96b5708591274c5f9ad
wish.com	Coolyard https://www.wish.com/merchant/5a994edb18d9210fe67d0dc	https://www.wish.com/c/5aabf9fb8304257110a780ab
wish.com	TYREA	https://www.wish.com/c/5abce8298c7e80b3cf79ef1a5
wish.com	vakind2018	https://www.wish.com/c/5b0cb99bc13755386a171543
wish.com	gudaobigworld https://www.wish.com/merchant/58256ca227e1ab4891f66f6c	https://www.wish.com/c/5a9931c21a8c2172841a2dfb
wish.com	Mygiftshop https://www.wish.com/merchant/5800b551746f2b55fd23f319	https://www.wish.com/c/5a9cee05c7e80b0e75986cae
wish.com	PowerMup https://www.wish.com/merchant/59e7f8e20a332a5f879688a0	https://www.wish.com/c/5aa962047c74933704fe806e

SCHEDULE "A"

Platform	Name/ID	ASIN/Prod ID/URL
wish.com	WildLion https://www.wish.com/merchant/5a9e6935b9605f19fc287c15	https://www.wish.com/c/5ac8a738c7e80b08143859c7
wish.com	youneedit https://www.wish.com/merchant/5a167cb20c47f37889e98d54	https://www.wish.com/c/5acc602fbd784c5096f3a332
wish.com	AdventureHelper https://www.wish.com/merchant/5a9e1b57b125ab05e5addc06	https://www.wish.com/c/5af29747ce2c7013f6f657fc
wish.com	Lilang Da Technology https://www.wish.com/merchant/56fb8ae885558c2865934047	https://www.wish.com/c/5a3cb4b3eceb0879b4a66037
wish.com	UnbeatableSale.com https://www.wish.com/merchant/5877e44ba35cef278491f32e	https://www.wish.com/c/5ab3e46e1ab08a02cdd2f953
wish.com	treebackwe18 https://www.wish.com/merchant/5954a1654b913a627e41e7fa	https://www.wish.com/c/5aaa6f1ba7d4840cebca1060
wish.com	Fashion-Master	
wish.com	LLD shop	https://www.wish.com/c/5ab3524147a0e73f1de9b4bd4
wish.com	AKLer	https://www.wish.com/c/5a4e0821e05e3323fa94f15d
wish.com	AKLer	https://www.wish.com/c/5abb0cb1c479186945d66c3a
wish.com	Rogerww https://www.wish.com/merchant/577cd7d7b215340c1f126da	https://www.wish.com/c/5ac975d9246bb02bdfdec63d
wish.com	Life is Beaut	https://www.wish.com/c/5ad6ff97a7d4844946e48a20d
wish.com	PowerMup https://www.wish.com/merchant/59e7f8e20a332a5f879688a0	https://www.wish.com/c/5aa28448bd784c76336fd099
wish.com	coverreverse https://www.wish.com/merchant/53426c2b7360467126ed3120	https://www.wish.com/c/5aab425c1a8c212fb379a01e
wish.com	Embroidered shop https://www.wish.com/merchant/587363c69ed2cb4d4a84b189	https://www.wish.com/c/5ab888dae7ddb0652fe1fa02c
wish.com	bonjourjewelry https://www.wish.com/merchant/58ca520fd37951510a1b5342	https://www.wish.com/c/5aaf5b1317c7a95b4faef226
wish.com	Fashion Vane	https://www.wish.com/c/5aba1c4435ca86130a8da712
wish.com	sa3308zsa3308z	https://www.wish.com/c/5b0fbdda3c4f50309842e9df
wish.com	Ice Scream	https://www.wish.com/c/5ac49d306931da5d5d8cfe0f6

SCHEDULE "A"

Platform	Name/ID	ASIN/Prod ID/URL
wish.com	moraltop https://www.wish.com/merchant/55d3e4b192e9ba122fb d6cc4	https://www.wish.com/c/5aab66725e2ae1746445b4b4
wish.com	jingpinghuadian https://www.wish.com/merchant/5ac9c4952fbbdc42f95f847f	https://www.wish.com/c/5ad25c8ea69e663716cee53a
wish.com	OP90LTD	https://www.wish.com/c/5b14d819e62cdd16e09fa5df
wish.com	深圳莱达尔科技有限公司	https://www.wish.com/c/5add7f631c6def71cdaa7bd8
wish.com	glasses	https://www.wish.com/c/5aa8e51e16d944116b36495a
wish.com	themarvel https://www.wish.com/merchant/5829940de18c0f36403b2007	https://www.wish.com/c/5a9a87a617c7a97974914e7c
wish.com	yych2010 https://www.wish.com/merchant/58368df48108914896d3058e	https://www.wish.com/c/5a6aeaaad95f79f07083c6434
wish.com	guocangmaoyi https://www.wish.com/merchant/5affb180f853f45f524740a8	https://www.wish.com/c/5b24766553d6cd0768b6d137
wish.com	Louise jan newyangge https://www.wish.com/merchant/59c228e7235134421d69f5ac	https://www.wish.com/c/5b20ed4b5220131b8930e405
wish.com	Hippie's store https://www.wish.com/merchant/5866083ba129f44d40f5206a	https://www.wish.com/c/5af674fa64fef627ca3511ff
wish.com		https://www.wish.com/c/5ab078801b3a82117f8b5dee

Complaint

EXHIBIT 1



UNITED STATES PATENT AND TRADEMARK OFFICE

UNDER SECRETARY OF COMMERCE FOR INTELLECTUAL PROPERTY AND
DIRECTOR OF THE UNITED STATES PATENT AND TRADEMARK OFFICE

JULY 3, 2018

PTAS

STANLEY D. FERENCE III
409 BROAD STREET
PITTSBURGH, PA 15143

900456707

UNITED STATES PATENT AND TRADEMARK OFFICE NOTICE OF RECORDATION OF ASSIGNMENT DOCUMENT

THE ENCLOSED DOCUMENT HAS BEEN RECORDED BY THE ASSIGNMENT RECORDATION BRANCH OF THE U.S. PATENT AND TRADEMARK OFFICE. A COMPLETE COPY IS AVAILABLE AT THE ASSIGNMENT SEARCH ROOM ON THE REEL AND FRAME NUMBER REFERENCED BELOW.

PLEASE REVIEW ALL INFORMATION CONTAINED ON THIS NOTICE. THE INFORMATION CONTAINED ON THIS RECORDATION NOTICE REFLECTS THE DATA PRESENT IN THE PATENT AND TRADEMARK ASSIGNMENT SYSTEM. IF YOU SHOULD FIND ANY ERRORS OR HAVE QUESTIONS CONCERNING THIS NOTICE, YOU MAY CONTACT THE ASSIGNMENT RECORDATION BRANCH AT 571-272-3350. PLEASE SEND REQUEST FOR CORRECTION TO: U.S. PATENT AND TRADEMARK OFFICE, MAIL STOP: ASSIGNMENT RECORDATION BRANCH, P.O. BOX 1450, ALEXANDRIA, VA 22313.

RECORDATION DATE: 07/02/2018

REEL/FRAME: 6369/0707
NUMBER OF PAGES: 2

BRIEF: ASSIGNS THE ENTIRE INTEREST

DOCKET NUMBER: 972.003

ASSIGNOR:
TORGAN, SHEILA

DOC DATE: 06/01/2018
CITIZENSHIP: UNITED STATES
ENTITY: INDIVIDUAL

ASSIGNOR:
TYLER, MARGARET

DOC DATE: 06/01/2018
CITIZENSHIP: UNITED STATES
ENTITY: INDIVIDUAL

ASSIGNEE:
AIRIGAN SOLUTIONS, LLC

107 JOHN STREET, SUITE 1-C
SOUTHPORT, CONNECTICUT 06890

CITIZENSHIP: CONNECTICUT
ENTITY: LIMITED LIABILITY COMPANY

SERIAL NUMBER: 86736673
REGISTRATION NUMBER: 5142630
MARK: NEGG
DRAWING TYPE: STANDARD CHARACTER MARK

FILING DATE: 08/25/2015
REGISTRATION DATE: 02/14/2017

ASSIGNMENT RECORDATION BRANCH
PUBLIC RECORDS DIVISION

United States of America

United States Patent and Trademark Office

Negg

Reg. No. 5,142,630

Registered Feb. 14, 2017

Int. Cl.: 8

Trademark

Principal Register

Sheila Torgan (UNITED STATES INDIVIDUAL)
4000 Congress Street
Fairfield, CT 06824

Margaret Tyler (UNITED STATES INDIVIDUAL)
105 Dunham Road
Fairfield, CT 06824

CLASS 8: Manually operated device used for peeling eggs

FIRST USE 10-15-2015; IN COMMERCE 10-18-2015

THE MARK CONSISTS OF STANDARD CHARACTERS WITHOUT CLAIM TO ANY PARTICULAR FONT STYLE, SIZE OR COLOR

SER. NO. 86-736,673, FILED 08-25-2015
JORDAN A BAKER, EXAMINING ATTORNEY



Michelle K. Lee

Director of the United States
Patent and Trademark Office

REQUIREMENTS TO MAINTAIN YOUR FEDERAL TRADEMARK REGISTRATION

WARNING: YOUR REGISTRATION WILL BE CANCELLED IF YOU DO NOT FILE THE DOCUMENTS BELOW DURING THE SPECIFIED TIME PERIODS.

Requirements in the First Ten Years*

What and When to File:

- **First Filing Deadline:** You must file a Declaration of Use (or Excusable Nonuse) between the 5th and 6th years after the registration date. See 15 U.S.C. §§1058, 1141k. If the declaration is accepted, the registration will continue in force for the remainder of the ten-year period, calculated from the registration date, unless cancelled by an order of the Commissioner for Trademarks or a federal court.
- **Second Filing Deadline:** You must file a Declaration of Use (or Excusable Nonuse) and an Application for Renewal between the 9th and 10th years after the registration date.* See 15 U.S.C. §1059.

Requirements in Successive Ten-Year Periods*

What and When to File:

- You must file a Declaration of Use (or Excusable Nonuse) and an Application for Renewal between every 9th and 10th-year period, calculated from the registration date.*

Grace Period Filings*

The above documents will be accepted as timely if filed within six months after the deadlines listed above with the payment of an additional fee.

***ATTENTION MADRID PROTOCOL REGISTRANTS:** The holder of an international registration with an extension of protection to the United States under the Madrid Protocol must timely file the Declarations of Use (or Excusable Nonuse) referenced above directly with the United States Patent and Trademark Office (USPTO). The time periods for filing are based on the U.S. registration date (not the international registration date). The deadlines and grace periods for the Declarations of Use (or Excusable Nonuse) are identical to those for nationally issued registrations. See 15 U.S.C. §§1058, 1141k. However, owners of international registrations do not file renewal applications at the USPTO. Instead, the holder must file a renewal of the underlying international registration at the International Bureau of the World Intellectual Property Organization, under Article 7 of the Madrid Protocol, before the expiration of each ten-year term of protection, calculated from the date of the international registration. See 15 U.S.C. §1141j. For more information and renewal forms for the international registration, see <http://www.wipo.int/madrid/en/>.

NOTE: Fees and requirements for maintaining registrations are subject to change. Please check the USPTO website for further information. With the exception of renewal applications for registered extensions of protection, you can file the registration maintenance documents referenced above online at <http://www.uspto.gov>.

NOTE: A courtesy e-mail reminder of USPTO maintenance filing deadlines will be sent to trademark owners/holders who authorize e-mail communication and maintain a current e-mail address with the USPTO. To ensure that e-mail is authorized and your address is current, please use the Trademark Electronic Application System (TEAS) Correspondence Address and Change of Owner Address Forms available at <http://www.uspto.gov>.

Complaint

EXHIBIT 2

Easy, Fast
& Fun!



egg peeler

Easy, Fast & Fun!

egg peeler



Simple to Use:

ADD a little water and
your boiled egg.

SNAP on the cap.

SHAKE up and down.

SLIDE off the shell.



Easy, Fast & Fun!

egg peeler



1 White
Egg
Peeler

Easy, Fast & Fun! egg peeler

If you like hard boiled eggs,
The Negg™ is a kitchen essential.

- BPA Free
- Dishwasher Safe
- Food Safe
- Available in multiple colors



For tips, tricks and some great recipes,
visit us at www.neggmaker.com

The NEGG™ is a trademark of Airigan Solutions, LLC
Patent Pending
© 2017 Airigan Solutions, LLC
Airigan Solutions, LLC, 107 John Street, Southport, CT 06890



Easy, Fast & Fun! egg peeler



The
Negg

1 White
Egg
Peeler

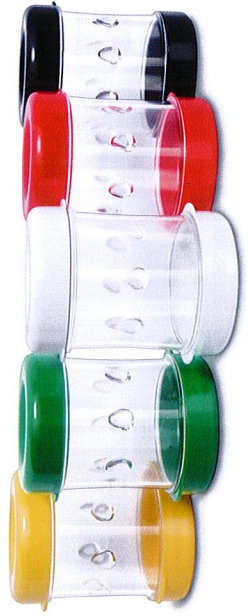
Easy, Fast & Fun! egg peeler



If you like hard boiled eggs **The Negg™**
is a kitchen essential.

For tips, tricks and some great recipes, visit us

www.neggmaker.com



Arigen Solutions, LLC, 107 John Street, Southport, CT 06890 Questions? Call us! (203) 594-7781

Easy, Fast
& Fun!



egg peeler

- BPA Free
- Dishwasher Safe (top rack)
- Food Safe
- Available in multiple colors

Simple to Use:

ADD a little water and your boiled egg.



water level

NEGG™ is a registered trademark of Airigan Solutions, LLC
Patent Pending ©2017 Airigan Solutions, LLC

The BEST Boiled Egg Recipe: Recommended by The Negg™

Extra-Large Chicken Eggs

Bring a pot of water to a boil. Using a slotted spoon or ladle, carefully place your eggs in the boiling water.

When the water returns to a boil, cook the eggs for 12 minutes. Immediately remove the eggs from the hot water and place them in a bowl of ice water for 3 to 5 minutes before peeling.

NOTE:

As a general rule, adjust the cooking time by 1 minute—up or down—depending on the size of your eggs.

SNAP on the cap and **SHAKE** a few times!



SLIDE off the shell and **ENJOY!**



MADE IN  U. S. A.

The shaking should be vigorous, enough to fracture the shell and membrane. Check after 4 or so shakes. You should feel the shell "soften". When you see the white visible, you're done!

Complaint

EXHIBIT 3



UNITED STATES PATENT AND TRADEMARK OFFICE

UNDER SECRETARY OF COMMERCE FOR INTELLECTUAL PROPERTY AND
DIRECTOR OF THE UNITED STATES PATENT AND TRADEMARK OFFICE

JULY 3, 2018

PTAS

FERENCE & ASSOCIATES LLC
409 BROAD STREET
PITTSBURGH, PA 15143

504987176

UNITED STATES PATENT AND TRADEMARK OFFICE NOTICE OF RECORDATION OF ASSIGNMENT DOCUMENT

THE ENCLOSED DOCUMENT HAS BEEN RECORDED BY THE ASSIGNMENT RECORDATION BRANCH OF THE U.S. PATENT AND TRADEMARK OFFICE. A COMPLETE COPY IS AVAILABLE AT THE ASSIGNMENT SEARCH ROOM ON THE REEL AND FRAME NUMBER REFERENCED BELOW.

PLEASE REVIEW ALL INFORMATION CONTAINED ON THIS NOTICE. THE INFORMATION CONTAINED ON THIS RECORDATION NOTICE REFLECTS THE DATA PRESENT IN THE PATENT AND TRADEMARK ASSIGNMENT SYSTEM. IF YOU SHOULD FIND ANY ERRORS OR HAVE QUESTIONS CONCERNING THIS NOTICE, YOU MAY CONTACT THE ASSIGNMENT RECORDATION BRANCH AT 571-272-3350. PLEASE SEND REQUEST FOR CORRECTION TO: U.S. PATENT AND TRADEMARK OFFICE, MAIL STOP: ASSIGNMENT RECORDATION BRANCH, P.O. BOX 1450, ALEXANDRIA, VA 22313.

RECORDATION DATE: 07/02/2018

REEL/FRAME: 046255/0183
NUMBER OF PAGES: 2

BRIEF: ASSIGNMENT OF ASSIGNORS INTEREST (SEE DOCUMENT FOR DETAILS).

DOCKET NUMBER: 972.003

ASSIGNOR:
TYLER, MARGARET B.

DOC DATE: 06/01/2018

ASSIGNOR:
TORGAN, SHEILA M.

DOC DATE: 06/01/2018

ASSIGNEE:
AIRIGAN SOLUTIONS, LLC
107 JOHN STREET
SUITE 1-C
SOUTHPORT, CONNECTICUT 06890

APPLICATION NUMBER: 15156785
PATENT NUMBER: 9968211
TITLE: PERSONAL EGG PEELER

FILING DATE: 05/17/2016
ISSUE DATE: 05/15/2018

ASSIGNMENT RECORDATION BRANCH
PUBLIC RECORDS DIVISION



US009968211B2

(12) **United States Patent**
Tyler

(10) **Patent No.:** **US 9,968,211 B2**
(45) **Date of Patent:** **May 15, 2018**

(54) **PERSONAL EGG PEELER**

(71) Applicant: **Margaret B Tyler**, Fairfield, CT (US)

(72) Inventor: **Margaret B Tyler**, Fairfield, CT (US)

(*) Notice: Subject to any disclaimer, the term of this patent is extended or adjusted under 35 U.S.C. 154(b) by 165 days.

(21) Appl. No.: **15/156,785**

(22) Filed: **May 17, 2016**

(65) **Prior Publication Data**

US 2016/0338515 A1 Nov. 24, 2016

Related U.S. Application Data

(60) Provisional application No. 62/163,062, filed on May 18, 2015.

(51) **Int. Cl.**
A47G 19/28 (2006.01)

(52) **U.S. Cl.**
CPC **A47G 19/28** (2013.01)

(58) **Field of Classification Search**
CPC A47G 19/28; A47J 43/14
USPC 99/568, 571, 577, 586, 587, 588
See application file for complete search history.

(56) **References Cited**

U.S. PATENT DOCUMENTS

1,030,324 A *	6/1912	Pender	A47G 19/28 30/120.1
2,962,067 A *	11/1960	Mesojedec	A47G 19/28 99/498
3,092,409 A *	6/1963	Murray	A47G 19/28 99/498
3,192,977 A *	7/1965	Bean	A23N 7/01 426/483
4,149,456 A	4/1979	Gisonni	
4,308,290 A	12/1981	Fujii	
5,573,803 A *	11/1996	Omessi	A47J 17/02 426/483
8,497,845 B2	7/2013	Braithwaite et al.	
2014/0004236 A1	1/2014	Braithwaite et al.	

* cited by examiner

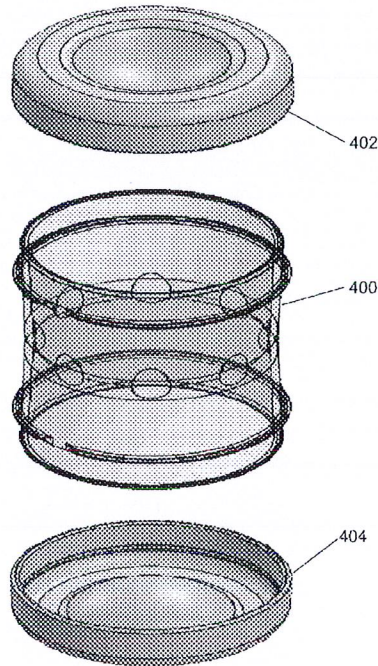
Primary Examiner — Reginald L Alexander

(74) *Attorney, Agent, or Firm* — John L Sotomayor

(57) **ABSTRACT**

An apparatus is described that permits a user to quickly and effortlessly separate an egg shell from the body of a hard-boiled egg. The apparatus has a hollow body into which an egg is inserted, a convex shaped bottom section and a convex shaped top portion. Additionally, the interior surface of the hollow body has a number of protrusions that contribute to peeling action. Eggs are inserted into the apparatus, water is added, the apparatus is sealed, the user agitates the apparatus for a short time, and then pours out the separated egg and egg shell along with the water.

10 Claims, 5 Drawing Sheets



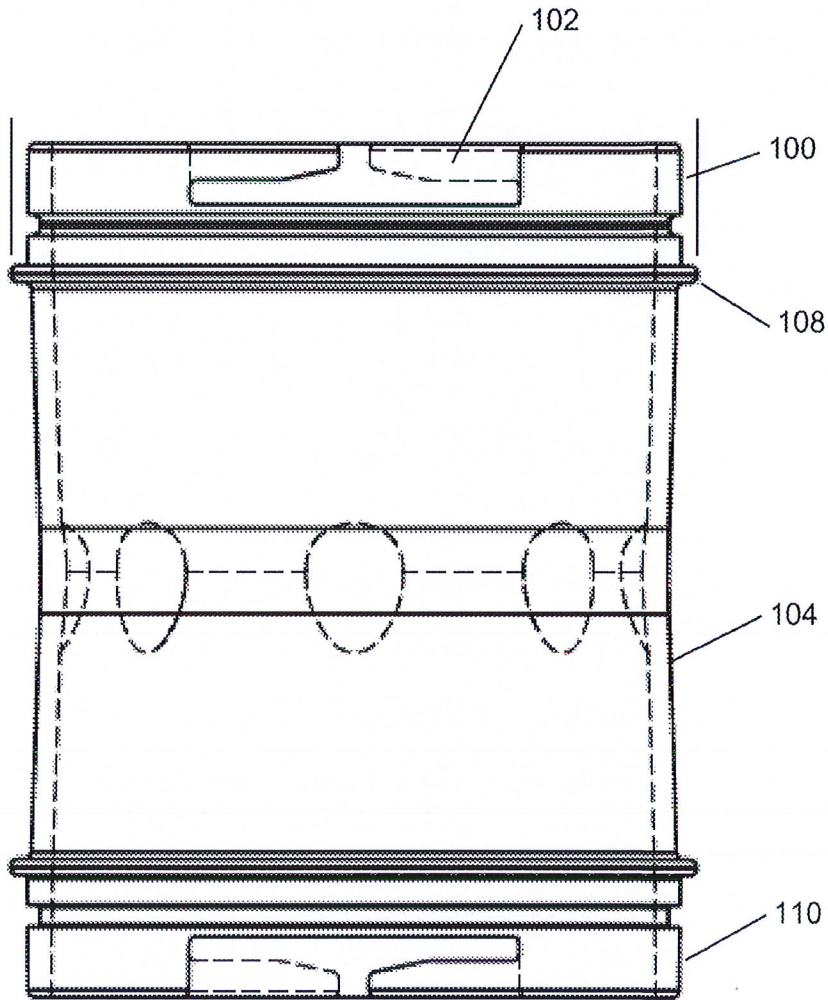


FIGURE 1

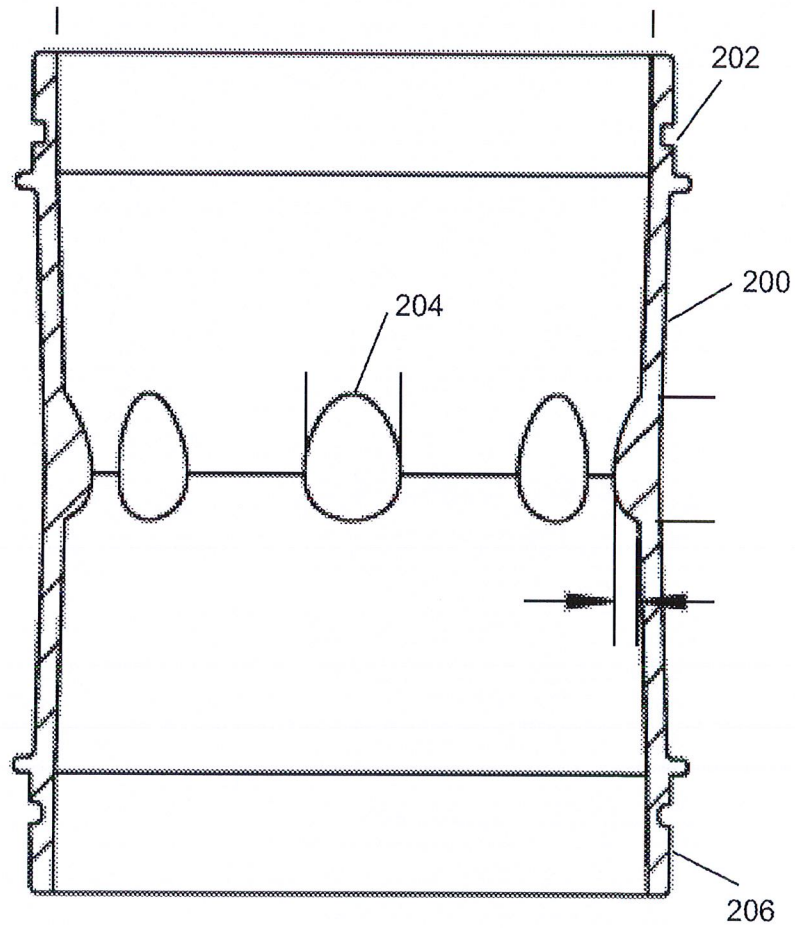


FIGURE 2

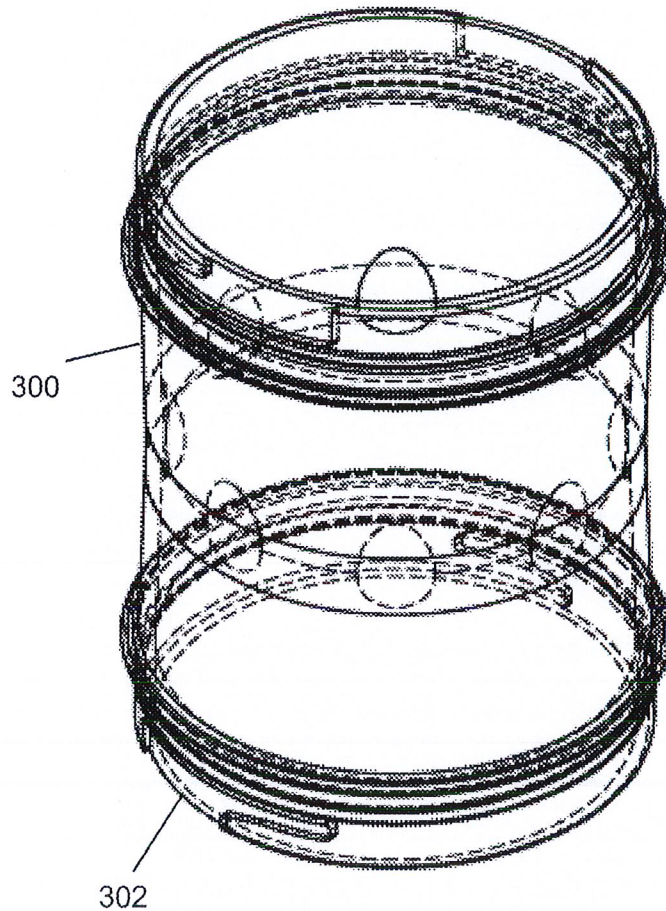


FIGURE 3

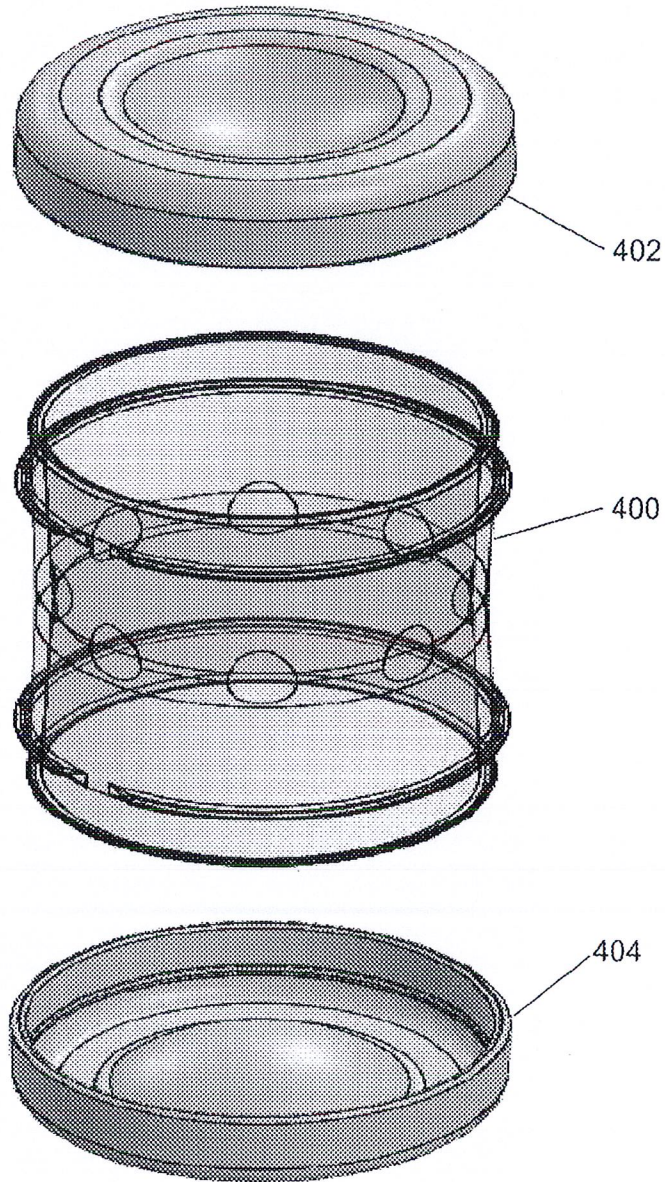


FIGURE 4

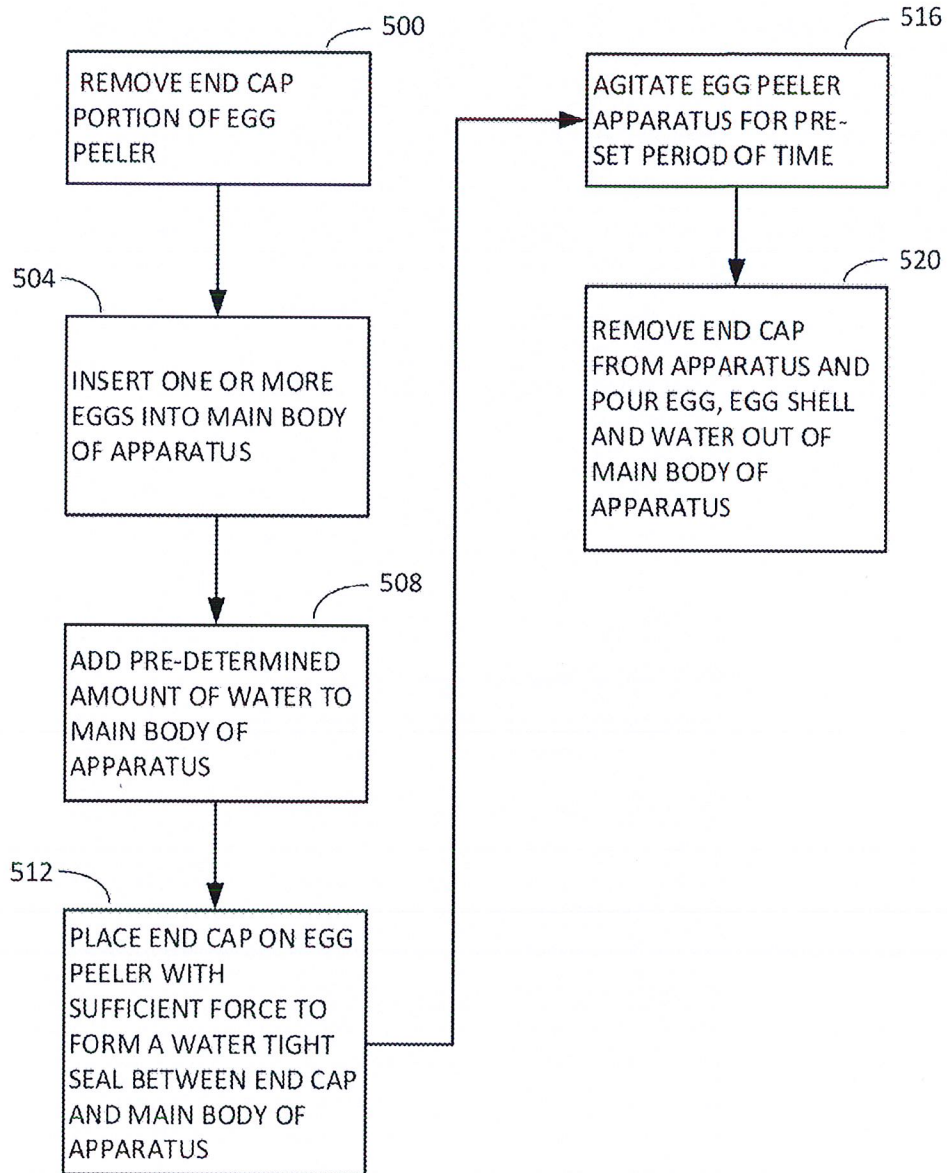


FIGURE 5

PERSONAL EGG PEELER

PRIORITY CLAIM

This Non-Provisional application claims under 35 U.S.C. § 120, the benefit of priority to the Provisional Application 62/163,062, filed May 15, 2015, and Titled "Personal Egg Peeler" which is hereby incorporated by reference in its entirety.

COPYRIGHT NOTICE

A portion of the disclosure of this patent document contains material which is subject to copyright protection. The copyright owner has no objection to the facsimile reproduction of the patent document or the patent disclosure, as it appears in the Patent and Trademark Office patent file or records, but otherwise reserves all copyright rights whatsoever.

BACKGROUND

The present invention relates generally to food preparation, and specifically to preparing hard boiled eggs for consumption. Removing the shell of a hard-boiled egg is a tedious process, especially if there is little time prior to the consumption of the eggs. Commercial processes for removing the shell do not apply to home makers and other consumers of small numbers of eggs over a set period of time as the machines used are generally large, cumbersome, and expensive, although effective.

BRIEF DESCRIPTION OF THE DRAWINGS

Certain illustrative embodiments illustrating organization and method of operation, together with objects and advantages may be best understood by reference detailed description that follows taken in conjunction with the accompanying drawings in which:

FIG. 1 is a view of the exterior of a personal egg peeler apparatus consistent with certain embodiments of the present invention.

FIG. 2 is a view of the main body of a personal egg peeler apparatus consistent with certain embodiments of the present invention.

FIG. 3 is a view of a main body and end portion connectors of a personal egg peeler consistent with certain embodiments of the present invention.

FIG. 4 is a view of a main body and end portion connectors of a personal egg peeler in an exploded view consistent with certain embodiments of the present invention.

FIG. 5 is a flow diagram for the operation of a personal egg peeler consistent with certain embodiments of the present invention.

DETAILED DESCRIPTION

While this invention is susceptible of embodiment in many different forms, there is shown in the drawings and will herein be described in detail specific embodiments, with the understanding that the present disclosure of such embodiments is to be considered as an example of the principles and not intended to limit the invention to the specific embodiments shown and described. In the descrip-

tion below, like reference numerals are used to describe the same, similar or corresponding parts in the several views of the drawings.

The terms "a" or "an", as used herein, are defined as one or more than one. The term "plurality", as used herein, is defined as two or more than two. The term "another", as used herein, is defined as at least a second or more. The terms "including" and/or "having", as used herein, are defined as comprising (i.e., open language). The term "coupled", as used herein, is defined as connected, although not necessarily directly, and not necessarily mechanically.

Reference throughout this document to "one embodiment", "certain embodiments", "an embodiment" or similar terms means that a particular feature, structure, or characteristic described in connection with the embodiment is included in at least one embodiment of the present invention. Thus, the appearances of such phrases or in various places throughout this specification are not necessarily all referring to the same embodiment. Furthermore, the particular features, structures, or characteristics may be combined in any suitable manner in one or more embodiments without limitation.

A apparatus used for peeling commercial quantities of hard-boiled eggs, for use in such food items as egg-salad as an example, are often large, cumbersome, and expensive. The number of eggs to be peeled must, therefore, be quite large in order to justify the expense for such an apparatus.

Peeling more than a dozen, but less than a quantity that would justify the investment in a commercial size egg peeling apparatus, is a tedious, time-consuming task. However, peeling one, two, or a dozen hard-boiled eggs remains a tedious task, even though this process may not consume a large amount of time. There is a need for a personal egg peeler that removes the shell of a hard-boiled egg speedily and with little effort, while still remaining cost effective to purchase for a personal kitchen, or a low-volume commercial kitchen.

The egg peeler apparatus herein disclosed provides a low-cost, readily portable solution for the peeling of small quantities of hard-boiled eggs. The apparatus is configured to peel the eggs, separate the shell from the egg white, and perform this process in a very short time cycle. The apparatus consists of a cylindrical main body having convex end caps that are configured to be attached and removed from the cylindrical main body, and oval shaped protrusions extending from the interior surface of the cylindrical main body. The cylindrical main body is of sufficient diameter to permit the insertion of one or more eggs produced by a commercial variety hen. However, this should in no way be considered limiting as the cylindrical main body may be sized to accommodate eggs laid by other species of fowl as well.

The egg peeler has a top portion, also with a convex surface that faces the interior of the cylindrical main body, having a water tight connection and seal for sealing the apparatus when the top portion is connected to the main body. The convex end caps form the top and bottom portions of the apparatus when connected to the main body. Each end cap may have a water tight connection such as a gasket, an o-ring, a screw type fastener, or any other type of fastener that keeps water sealed inside the main body when the end caps are secured to the top and bottom portions of the main body. In operation, a user may remove the top portion of the egg peeler with the egg peeler oriented in a vertical plane, place one or more eggs of sufficient diameter to be fully enclosed by the main body of the egg peeler when inserted into the egg peeler, pour water sufficient to cover a third of the volume of the eggs when inserted into the main body,

and replace the top convex end cap onto the top of the cylinder with sufficient force to cause the convex top portion to seal the main body of the cylinder so as to retain both the egg and the water within the main body of the egg peeler. The user then shakes the egg peeler apparatus for a pre-

determined time and removes one of the convex end cap portions, unsealing the egg peeler main body to permit removal of the separated egg and egg shell portions from the cylindrical main body of the apparatus.

Although particular exemplary embodiments of the innovation will be presented herein, it should be apparent that additional embodiments may be accessible to those of ordinary skill in the art without departing from the spirit of innovation of the recited embodiments.

Turning now to FIG. 1, consistent with certain embodiments of the invention this figure is a view of the personal egg peeler apparatus consistent with certain embodiments of the present invention. In this exemplary embodiment, a top portion 100 of a personal egg peeler apparatus is presented as having a substantially circular cross section. However, this should in no way be considered limiting as the top portion 100 may be manufactured in any shape that is consistent with the shape of the main body of the personal egg peeler and may be oval, square, rectangular or any other shape that permits the top portion 100 to be inserted into or onto the top of the main body 104 of the personal egg peeler. The top portion 100 may also have a convex shaped portion 102 so as to permit a user to insert a thumb or fingers into the convex shaped portion 102 to readily grasp the top portion 100 of the personal egg peeler when in use.

The top portion 100 may have a sealing element 108 that is configured to form a closure that permits a water tight seal when the top portion 100 is reattached to the main body 104 of the personal egg peeler. The sealing element may consist of clip fastening, gasket, screw type element, o-ring element, slide and lock connection, or any other fastening structure that permits the top element 100 to be attached to and removed from the main body 104 of the personal egg peeler while maintaining a water tight seal when the top portion 100 is fully secured to the main body 104. The top portion 100 may also be manufactured of a material such as rubber, plastic, silicon, acrylic, or any other equivalent material, that permits a water tight seal to be maintained when the top portion 100 is fully secured onto the top portion of the main body 104 of the personal egg peeler.

The bottom portion 110 of the personal egg peeler may also be convex in shape. The convex shaped portion 102 of both the top portion 100 and the bottom portion 110 permits each end portion to participate in the action by forming a grip for a user to firmly grasp the personal egg peeler when in use. As such, it is readily apparent that the convex shaped portion 102 is not the only shape in which the top portion 100 and the bottom portion 110 of the personal egg peeler, such as a flat surface with protrusions, a wavy surface, a central cone, or any other shaped indentation, are equally disclosed as being consistent with the purpose of the convex shaped portion 102 of the top portion 100 and the bottom portion 110 of the personal egg peeler.

Turning now to FIG. 2, consistent with certain embodiments of the invention is a view of the main body of a personal egg peeler apparatus consistent with certain embodiments of the present invention. In an exemplary embodiment, the main body 200 of the personal egg peeler may be configured in any shape that permits the complete enclosure of one or more eggs when the eggs are inserted

into the main body 200. The main body 200 may be manufactured of any material, such as glass, plastic, acrylic, or any other material that is water proof and has a hardness greater than the hardness of the shell of an egg to be inserted. In a non-limiting example, the main body 200 of the personal egg peeler is presented as a hollow cylinder. However, the main body 200 could equally well be manufactured as a hollow square, rectangular, oval, or other shape that would permit the complete insertion of one or more eggs into the hollow portion of the main body 200.

The inner surface of the main body 200 may have raised protrusions 204 that extend into the hollow space within the main body 200. The raised protrusions 204 may be manufactured as a seamless portion of the interior surface of main body 200, or they may be manufactured separately and later attached to the interior surface of the main body 200. In this exemplary embodiment, the raised protrusions 204 contribute to the action of peeling the one or more eggs inserted into the personal egg peeler.

In an exemplary embodiment, the top portion 100 and bottom portion 110 of the personal egg peeler may be manufactured as separable end portions of the personal egg peeler. A top connector portion 202 and a bottom connector portion 206 may be shaped to form a locking connection with the top portion 100 and bottom portion 110 when placed in contact with the main body 200 of the personal egg peeler.

When preparing to use the personal egg peeler, either the top portion 100 or the bottom portion 110 may be removed from contact with the main body 200. At this point, one or more eggs may be inserted into the main body 200 of the apparatus making the apparatus ready for use in removing the peel from a hard-boiled egg or eggs, depending upon the size and configuration of the apparatus. Water is placed in the cavity of the main body 200 to a level that is approximately one third of the volume of the interior of the main body 200. Alternatively, in another exemplary embodiment, a water level marker may be indicated on the exterior of the apparatus to provide a user with a guideline for the water level that is preferred when using the apparatus. The top portion 100 or bottom portion 110, whichever was removed to permit the insertion of the egg(s) and water, is placed fully in contact with the main body 200 so as to form a sealed, water tight container around the one or more inserted eggs. The user may then firmly grasp the personal egg peeler by the top and bottom convex, or other shaped, portions and operate the apparatus by shaking the personal egg peeler vigorously.

In this exemplary embodiment, the top portion 100 and the bottom portion 110 of the apparatus are fully removable to facilitate cleaning of the interior of the main body 200 of the personal egg peeler apparatus.

Turning now to FIG. 3, consistent with certain embodiments of the invention is a view of a main body and end portion connectors of a personal egg peeler consistent with certain embodiments of the present invention. In this exemplary embodiment, the main body 300 of the personal egg peeler may be connected to a top capping portion and a bottom capping portion (not shown) through the connection point 302 formed as a part of the main body 300 top and bottom sections. The connection point 302 may be formed as a locking channel that permits the insertion of a top cap or a bottom cap and forming a water tight seal as the top cap and/or bottom cap are turned to secure the top cap or bottom cap in the locking channel. It is understood that a locking channel is simply one implementation of the water tight seal between the end caps and the main body 300 of the appa-

ratus. Additional sealing mechanisms that may form a water tight seal when fully engaged may include clip fasteners, gaskets, a screw type element, an o-ring element, slide and lock connection, or any other fastening structure that permits the end caps to be firmly attached to the main body 300 and forming a water tight seal.

Turning now to FIG. 4, consistent with certain embodiments of the invention is an exploded view of a main body and end portion connectors of a personal egg peeler consistent with certain embodiments of the present invention. In this exemplary view, the main body 400 of the personal egg peeler is a hollow structure that permits the insertion of one or more eggs into the hollow cavity forming the main body 400. Although the main body 400 is circular in cross section in this exemplary embodiment, this should in no way be considered limiting, as the main body 400 may be of any shape in cross section as long as the central portion of the main body has a cavity that accepts the insertion of one or more eggs in such as fashion as to permit the top end cap 402 and the bottom end cap 404 to be securely fastened to the main body 400 with the eggs fully inserted. The top end cap 402 and the bottom end cap 404 are configured to permit the end caps to be fastened to the top portion and the bottom portion of the main body 400, respectively, to form a water tight seal with the one or more eggs fully inserted into the main body 400.

Turning now to FIG. 5, consistent with certain embodiments of the invention is a flow diagram for the operation of a personal egg peeler consistent with certain embodiments of the present invention. In this exemplary embodiment, the action of peeling one or more eggs in the personal egg peeler begins at step 500 when a user removes an end cap, either the top portion or the bottom portion, of the personal egg peeler. At step 504, the user may place just one egg, or more than one egg, depending upon the size of the eggs relative to the hollow body section of the personal egg peeler. The user may only place the number of eggs into the personal egg peeler that will fit inside with sufficient clearance to permit the top of the personal egg peeler to be placed back into contact with the main body of the personal egg peeler so as to form a water tight seal, and will permit unrestrained movement of the egg, or eggs, inside the personal egg peeler.

At step 508, the user may add water to the main body of the personal egg peeler in sufficient quantity to fill a third of the interior of the main body, or sufficient water to rise to the indicator marking on the exterior surface of the main body of the personal egg peeler. At step 512, the user places the removed portion, whether the top portion or the bottom portion, of the personal egg peeler back into contact with the main body of the personal egg peeler. The placement of the removed portion of the egg peeler must be such that the top, or bottom, portion is in full contact along the entire extent of the gasket with the interior surface of the main body of the personal egg peeler, and put in place with sufficient force so as to form a water tight seal between the gasket part and the interior surface of the main body of the personal egg peeler.

At step 516, the user performs the egg peeling action by picking up the personal egg peeler and agitating the personal egg peeler in up and down, and circular motions for a pre-determined period of time. The pre-determined period of time may be approximately ten seconds, or may be adjusted based upon user experience or the number of eggs that have been inserted into the personal egg peeler to a greater or lesser extent to achieve a complete peeling action. At 520, the user, after agitating the personal egg peeler for the

pre-determined period of time, may remove the end cap portion of the personal egg peeler and pour out the separated egg and egg shell along with the water added earlier in the process. When completed, the top and bottom portions of the personal egg peeler may be removed to facilitate cleaning.

While certain illustrative embodiments have been described, it is evident that many alternatives, modifications, permutations and variations will become apparent to those skilled in the art in light of the foregoing description.

What is claimed is:

1. An egg peeler apparatus, comprising:
 - a container having a hollow main body and a top end cap and a bottom end cap;
 - the top end cap and bottom end cap having a convex shaped portion where said convex shaped portion is oriented such that the curved surface of each top and bottom end cap faces the interior of the cylindrical main body and forming the top and bottom portions of the container;
 - the interior surface of the container having a plurality of raised protrusions of sufficient height to extend into the hollow area of the hollow container;
 - the container main body having an internal dimension of sufficient diameter to permit the insertion of one or more standard size chicken eggs;
 - the apparatus configured to peel the one or more standard sized chicken eggs inserted into the hollow container when agitated by a user.
2. The apparatus of claim 1, where the main body of the container may have an external shape that is cylindrical, oval, square, rectangular, or any other regular shape.
3. The apparatus of claim 1, where the end caps form a water tight seal when securely fastened to the top and bottom portions of the main body of the container.
4. The apparatus of claim 1, where the raised protrusions are formed of the same material as the interior surface of the main body of the container.
5. The apparatus of claim 4, where the raised protrusions are shaped in an oval, rectangular, circular, square, or any other shape that is operative to form a protrusion against which an egg shell may impact.
6. The apparatus of claim 1, where the main body of the container is of sufficient dimension to be held in the hand of a user.
7. The apparatus of claim 1, where the top end cap and bottom end cap convex shape forms the center portion of the top end cap and bottom end cap, where the convex shape is of sufficient depth to permit a secure grip when held in the hand of the user.
8. The apparatus of claim 1, further comprising a fastening portion forming a portion of the top end cap and the bottom end cap where the fastening portion permits a user to remove the top end cap and the bottom end cap to remove any eggs and egg shells and to clean the interior of the main body of the container.
9. The apparatus of claim 1, where the interior volume of the main body of the container is sufficient to permit the insertion of as few as one or as many as three grade A large chicken eggs.
10. The apparatus of claim 1, where the agitation of the device is performed by the user for a predetermined time period of sufficient duration to crack and separate the shell from the egg or eggs inserted into the main body of the container.

* * * * *